

Master Series Heavy Duty

M/MS/MST Series Gas Ranges and Char Broilers

Installation, Operation and Maintenance Manual



Original instructions

Part Number 1382680 Rev 4 (1/15/16)

IMPORTANT INFORMATION

WARNING:

This product contains chemicals known to the state of California to cause cancer and/or birth defects or other reproductive harm. Installation and servicing of this product could expose you to airborne particles of glass wool/ceramic fibers. Inhalation of airborne particles of glass wool/ceramic fibers is known to the state of California to cause cancer. Operation of this product could expose you to carbon monoxide if not adjusted properly. Inhalation of carbon monoxide is known to the state of California to cause birth defects or other reproductive harm.

Keep appliance area free and clear of combustibles.

**FOR YOUR SAFETY:
DO NOT STORE OR USE GASOLINE
OR OTHER FLAMMABLE VAPORS OR
LIQUIDS IN THE VICINITY OF
THIS OR ANY OTHER
APPLIANCE**

**WARNING:
IMPROPER INSTALLATION, ADJUSTMENT,
ALTERATION, SERVICE OR MAINTENANCE
CAN CAUSE PROPERTY DAMAGE, INJURY,
OR DEATH. READ THE INSTALLATION,
OPERATING AND MAINTENANCE
INSTRUCTIONS THOROUGHLY
BEFORE INSTALLING OR
SERVICING THIS EQUIPMENT**

PLEASE READ ALL SECTIONS OF THIS MANUAL
AND RETAIN FOR FUTURE REFERENCE.

THIS PRODUCT HAS BEEN CERTIFIED AS
COMMERCIAL COOKING EQUIPMENT AND
MUST BE INSTALLED BY PROFESSIONAL
PERSONNEL AS SPECIFIED.

IN THE COMMONWEALTH OF MASSACHUSETTS
THIS PRODUCT MUST BE INSTALLED BY A
LICENSED PLUMBER OR GAS FITTER.

For Your Safety:

Post in a prominent location, instructions to be followed in the event the user smells gas. This information shall be obtained by consulting your local gas supplier.

Users are cautioned that maintenance and repairs must be performed by a Garland authorized service agent using genuine Garland replacement parts. Garland will have no obligation with respect to any product that has been improperly installed, adjusted, operated or not maintained in accordance with national and local codes or installation instructions provided with the product, or any product that has its serial number defaced, obliterated or removed, or which has been modified or repaired using unauthorized parts or by unauthorized service agents.

For a list of authorized service agents, please refer to the Garland web site at <http://www.garland-group.com>.

The information contained herein, (including design and parts specifications), may be superseded and is subject to change without notice.

TABLE OF CONTENTS

IMPORTANT INFORMATION.....	2	Valve Controlled Griddles (M Models)	13
SPECIFICATIONS	4	Valve controlled Griddles (MS/MST Models) ..	13
Clearance from Combustible Construction	4	Oven (Standard)	13
Clearance from Non-Combustible Construction	4	“RC” Convection Ovens.....	13
INSTALLATION	5	Char-Broiler (M,MS Models).....	14
Rating Plate.....	5	Char-Broiler (MST Models).....	14
Installation Notices.....	5	Assembly of Char-Broiler	15
Gas Installation	5	MAINTENANCE	15
Installation Of Ovens Equipped With Casters ..	5	Painted Finishes	15
Installing Legs	6	Stainless Steel Finishes	15
Ventilation and Air Supply.....	6	Oven Interior (Porcelain Enamel).....	16
Installation of Oven Flue Riser	6	Oven Interior – Optional continuous Clean ...	16
Installation Instructions for		Automatic Pilot Valve	16
Low Profile Backguard	6	Griddle Seasoning	16
Installation Instructions for		Griddle Cleaning.....	17
High Profile Backguards and Shelves.....	7	Open Top Burners	17
Installation Instructions for		Top Grates	
Salamander or Cheesemelter	7	Seasoning Cast Iron Top Grates	17
Assembly of Battery.....	7	ADJUSTMENTS.....	18
Optional Common Rail Installation.....	8	Pilot Adjustment	18
Pressure Regulators	11	Burner Gas/Air Adjustments	18
Testing and Adjustments.....	11	Cast Iron Hot tops and Spectro-Heat Tops....	18
OPERATION.....	12	FDO Heavy Duty Oven Control	19
Open Top Burners (M/MS Models)	12	BJWA Griddle Thermostat	20
Open Top Burners (MST Models).....	12	CONVECTION OVEN USER TIPS – SUFFIX	
Hot Top Sections And Spectro-Top Sections		“RC”	21
(M Models)	12	TROUBLE SHOOTING	
Hot Top Sections And Spectro-Top Sections		CONVECTION OVEN.....	21
(MS/MST Models)	12		
Thermostatically Controlled Griddles			
(M Models)	12		

SPECIFICATIONS

MODEL NUMBER	GAS TYPE NATURAL	GAS TYPE-PROPANE
	INPUT (BTU/H)	INPUT (BTU/H)
(M,MS)(12,43) Open Burner	24,000	20,000
MST43 Open Burner	24,000	20,000
M(M43-1,2,3),12S-6 Hot top burner	22,000	22,000
M43 FTR Front Open Burner	18,000	16,000
Rear French top	15,000	16,000
(M, MS)(4,42,44,54) Open Burner	35,000	35,000
MST(42,44,54) Open burner	35,000	35,000
(M,MS)(45,54,5) Spectro Heat Burner	15,000	11,000
MST45 Sptro Heat Burner	Total of 3 burners 40,000	Total of 3 burners 40,000
M(42-6,46,6) Even Heat Hot Top Burner.	30,000	30,000
MST(42-6,46,6) Even Heat Hot Top Burner	27,000	27,000
(M,MS)47 Griddle burner	33,000	33,000
MST 47 Griddle Burner	30,000	30,000
M48 Griddle Burner	33,000	33,000
(M,MS,MST) Oven Burner	40,000	35,000
(M,MS,MST)(17,24,34) Char-Broiler	15,000	15,000
(M1R) Single deck oven section	40,000	40,000
(M2R) Double stacked ovens	80,000	80,000

Natural Gas Operating Pressure=6.0" Water Column, measured at manifold tap.

Propane Gas Operating Pressure=10.0" Water Column, measured at manifold tap.

Clearance from Combustible Construction

Models (M,MST)5(S,T) & (M,MST)45(R,RC,S,T) must be installed with **no less than six inch (6") clearance from combustible construction at sides and rear.**

Models (M,MS,MST)42(R,RC,S,T), (M,MS,MST)44(R,RC,S,T), (M,MS,MST)54(R,RC,S,T), (M,MS,MST)4(S,T), (M,MST)46(R,RC,S,T), (M,MST)47(R,RC,S,T), M47-23(R,RCS,T), M47-45(R,RC,S,T), M48(R,RCS,T), M48-23(R,RC,S,T), M48-45(R,RC,S,T) (M,MST)(6,7,8)(S,T) must be installed with **no less than fourteen inches (14") on the side, and six inch (6") rear clearance from combustibile construction.**

Models (M,MS,MST)43(R,RC,S,T) must be installed with **no less than eleven inch (11") side and six inch (6") rear clearance from combustibile construction.**

Clearance from Non-Combustible Construction

Models (M,MS,MST)(17,24,34)B(E) are for **INSTALLATION IN NON-COMBUSTIBLE LOCATIONS ONLY with zero (0") sides and rear clearance.** Models with suffix "RC" must be installed with zero inches (0") side and no less than one inch (1") rear clearance from non-combustible construction. All other models may be installed with zero inches (0") sides and rear clearance from non-combustible construction.

INSTALLATION

Rating Plate

When corresponding with the factory or your local authorized factory service center regarding service problems or replacement parts, be sure to refer to the particular unit by the correct model number (including the prefix and suffix letters and numbers) and the warranty serial number. The rating plate affixed to the unit contains this information.

We suggest installation, maintenance and repairs should be performed by your local authorized service agency listed in your information manual pamphlet.

In the event you have any questions concerning the installation, use, care or service of the product, write or call our Product Service Department.

This product must be installed by professional personnel as specified. Garland/U.S. Range products are not approved or authorized for home or residential use, but are intended for commercial applications only. Garland / U.S. Range will not provide service, warranty, maintenance or support of any kind other than in commercial applications.

Installation Notices

Legs must be fitted to the oven where it is installed on a combustible floor.

When installed without legs on a non-combustible curb or platform, the front of the unit should extend at least 3 inches or 76 mm such that the ventilation gap will not be blocked.

Gas Installation

Before assembly and connection check gas supply.

- A. The type of gas for which the unit is equipped is stamped on the data plate located behind the lower front panel. Connect a unit stamped on the data plate located behind the lower front panel. Connect a unit stamped "NAT" only to natural gas; connect those stamped "PRO" only to propane gas.
- B. If it is a new installation have the gas authorities check meter size and piping to assure that the unit is supplied with sufficient amount of gas pressure required to operate the UNIT.
- C. If it is additional or replacement equipment have gas authorities check pressure to make certain that existing meter and piping will supply fuel to the unit with not more than 1/2" water column pressure drop.

NOTE: When checking gas pressure be sure that all other

equipment on the same gas line is on. A pressure regulator is not supplied as standard equipment with GARLAND Heavy Duty equipment, however a 1-1.4" pressure regulator is sold as an option with the original purchase. If you would like to purchase a regulator after original purchase contact your equipment dealer. Installation must conform with the National fuel Gas code ANSI Z223-1-1988 or latest edition, NFPA No. 54 – Latest Edition and National electrical code ANSI/NFPA 70-1990 or latest edition and/or local code to assure safe and efficient operation.

In Canada, the installation must comply with CAN/CGA-B149.1 NATURAL GAS INSTALLATION CODE, or CAN/CGA-B149.2 PROPANE GAS INSTALLATION CODE, and local codes where applicable.

In Canada, electrical connection must comply with applicable sections of the Canadian Electrical Codes, C22.1 – 1990 (or latest edition), "Safety Standard for Installation, Part 1" and C22.2 – No O-M 1982 (or latest edition), "General Requirements, Part 2".

NOTE: The appliance must be isolated from the gas supply piping system by closing its individual manual shut-off (not supplied by manufacturer) during any testing of the gas supply piping system at test pressures equal to or less than 1/2 PSIG (3.45 KPA).

NOTE: Adequate clearance must be provided for servicing and proper operation.

NOTE: This appliance is not recommended for residential installation.

Installation Of Ovens Equipped With Casters

- A. The installation shall be made with a connector that complies with the Standard for Connectors for Moveable Gas Appliances, ANSI Z21.69/CSA 6.16, Addenda Z21.69B-2006/CSA 6.16B-2006 (or latest edition), and a quick-disconnect device that complies with the Standard for Quick Disconnects for Use with Gas Fuel, ANSI Z21.41/CSA 6.9, Addenda Z21.41A-2005/CSA 6.16A-2005 (or latest edition).
- B. The front casters of the unit are equipped with brakes to limit the movement of the range without depending on the connector and any quick-disconnect device or its associated piping to limit the appliance movement.
- C. Please be aware, required restraint is attached to a bracket (which is located on the left rear caster), and if disconnection of the restraint is necessary, be sure to reconnect the restraint after the oven has been returned to its originally installed position.

INSTALLATION Continued

Installing Legs

Raise the front of the unit and block. DO NOT lay unit on its back. Position leg insert into leg retainer opening and tap up until it seats at collar flange. Repeat at rear of unit and ensure all four legs are adjusted to the same height. When floor is uneven, adjust legs to level the unit.

Ventilation and Air Supply

Proper ventilation is highly important for good operation. The ideal method of ventilating a range is the use of a properly designed canopy which should extend approximately six inches (6") beyond all sides of the appliance and six feet (6') six inches (6") from the floor.

A strong exhaust fan will create a vacuum in the room, for an exhaust system vent to work properly, replacement air must enter the room in which the vent is located.

All gas burners and pilots need sufficient air to operate and large objects should not be placed in front of this oven which would obstruct the air flow through the front.

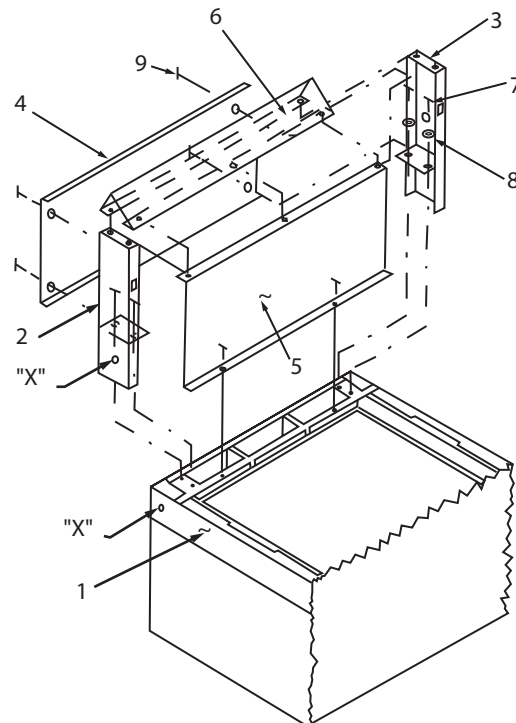
Installation of Oven Flue Riser

The oven flue is packed inside the oven for shipping purposes. Before installing the back guard, high shelf or range mount salamander you must install the oven flue riser.

Remove the two #10 sheet metal screws from the rear center of the main top. Position the oven flue riser over the center square hold with the flat surface to the rear of the range. Reinstall the two #10 sheet metal screws, securing the oven flue riser to the rear main top.

Installation Instructions for Low Profile Backguard

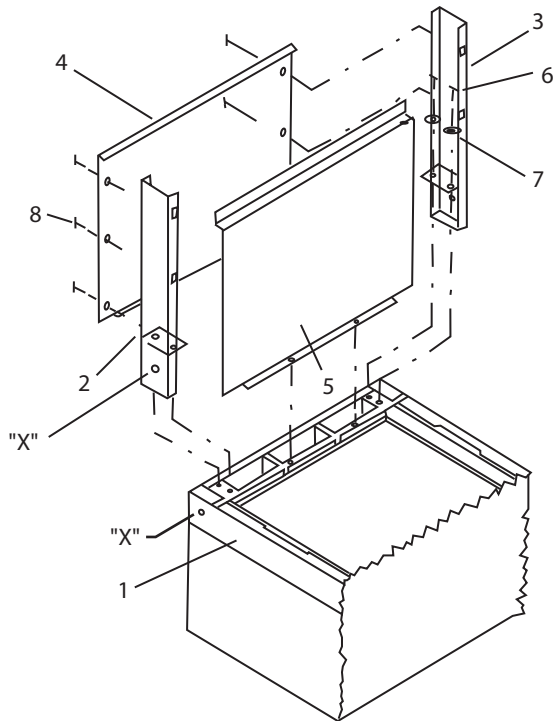
1. Remove flue cap, (6), by removing six, (6), #10 sheet metal screws.
2. Remove front panel, (5), by lifting upward.
3. With back panel, (4), still attached to the uprights, (2 & 3), drop the uprights into the rectangular openings at the rear of the range. (1).
4. Fasten the uprights, (2 & 3), to the range with four (4), 5/16" x 18 and flat washers, (7 & 8).
5. If the range is in a battery line-up, fasten units together at hole marked "X" with 1/4" x 20 bolts, nuts and washers.
6. Reattach the front panel, (5) to the backguard with sheet metal screws previously removed.
7. Reinstall flue cap, (6), to top of backguard.



INSTALLATION Continued

Installation Instructions for High Profile Backguards and Shelves

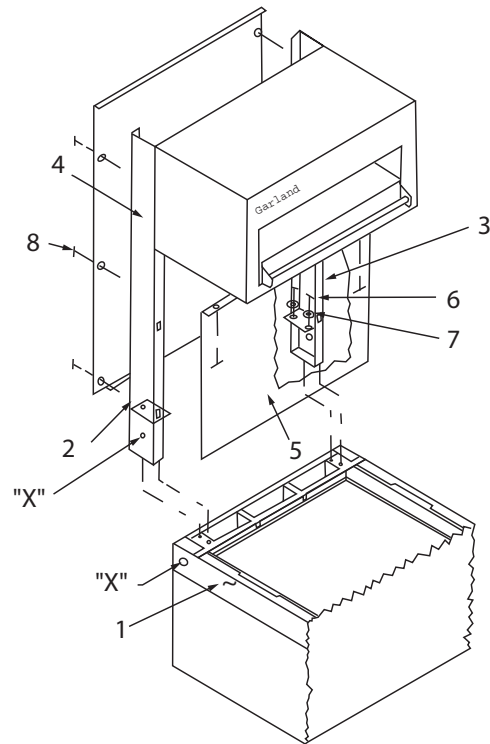
1. Remove front panel, (5), by lifting upward.
2. With back panel, (4), still attached to the uprights, (2 & 3), drop the uprights into the rectangular openings at the rear of the range, (1).
3. Fasten the uprights, (2 & 3), to the range with four, (4), 5/16" x 18 and flat washers, (6 & 7).
4. If the range is in a battery line-up, fasten units together at hole marked "X" with 1/4" x 20 bolts, nuts and washers.
5. Reattach the front panel, (5) to the backguard with sheet metal screws previously removed.



Installation Instructions for Salamander or Cheesemelter

1. Remove front panel, (5), by removing two, (2), sheet metal screws from the underside of the salamander or cheesemelter.
2. With back panel, (4), still attached to the uprights, (2 & 3), drop the uprights into the rectangular openings at the rear of the range, (1).

3. Fasten the uprights, (2 & 3), to the range with four, (4), 5/16" x 18 and flat washers, (6 & 7).
4. If the range is in a battery line-up, fasten units together at hole marked "X" with 1/4" x 20 bolts, nuts and washers.
5. Reattach the front panel, (5) to the salamander or cheesemelter with sheet metal screws previously removed.



Assembly of Battery

All heavy duty batteried equipment is aligned and fitted at the factory, from left to right and must be installed in this order. There is a diagram provided with every heavy duty battery.

All models described, except model M110XM may be installed to battery with GARLAND M/MS/MST40 Series Ranges, sharing common manifold connections.

- A. All such units should be placed in their respective battery position. Detach valve panels to prevent damage, remove them from the area where the battery is being assembled.

INSTALLATION Continued

- B. Level each unit (to the oven rack) by adjusting the six inch (6") legs (refer back to Item 1 for limitations), or where legs are not used, adjust level with shims. Readjust legs, if required.
- C. Connect units together by mating the unions at each end of the manifold. (Adjoining units must have matching unions, unless the union parts are of the same specifications, a leak proof connection cannot be assured.) Hand tighten unions at this point.
- D. The units should be fastened at the rear by inserting 5/16" bolts through the holes provided at the rear of the burner box sides. Install washer and nut and hand tighten. Be sure of proper unit alignment in the battery before final tightening of these bolts or unions. Improper tightening will cause "fanning" or "bowing" of battered units.

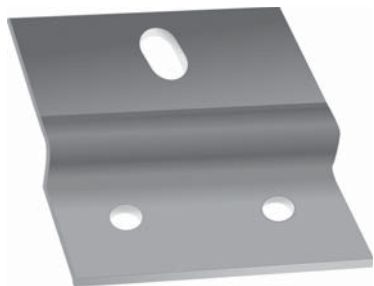
The final tightening of the union should be accomplished by using a suitable spanner wrench. If such a wrench is not available, the GARLAND union collar has special ridges, and a cold chisel can be driven against these ridges to properly seat and seal the union.

- E. The manifold of this unit or the manifold of which is a part of must be equipped with a certified pressure regulator suitable for battery application and adjustable for an outlet pressure at the manifold as specified on the rating plate.

Optional Common Rail Installation

Rail Accessories

Rail Support Bracket



Spacers X2

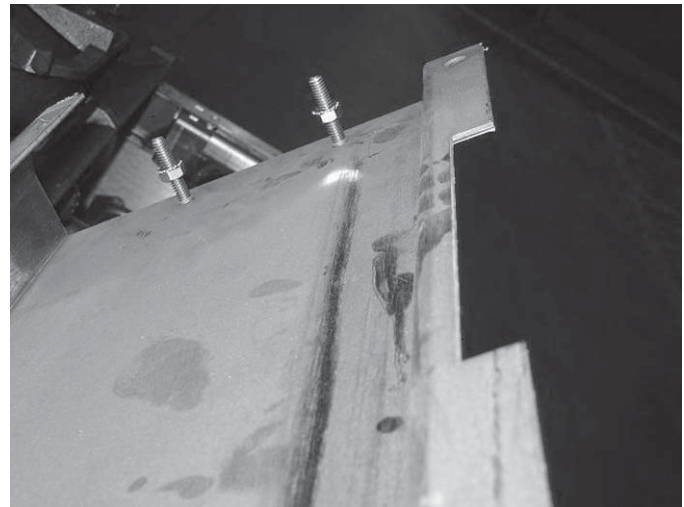


End rail support

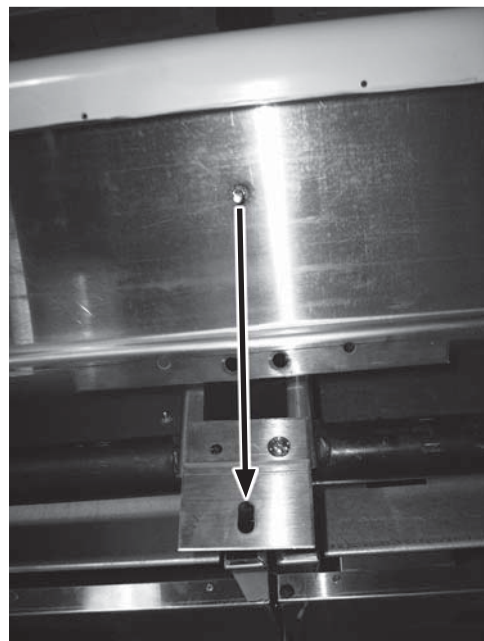


(Right & Left) brackets mounted at each end of the rail.

Rail with studs for end rail bracket.

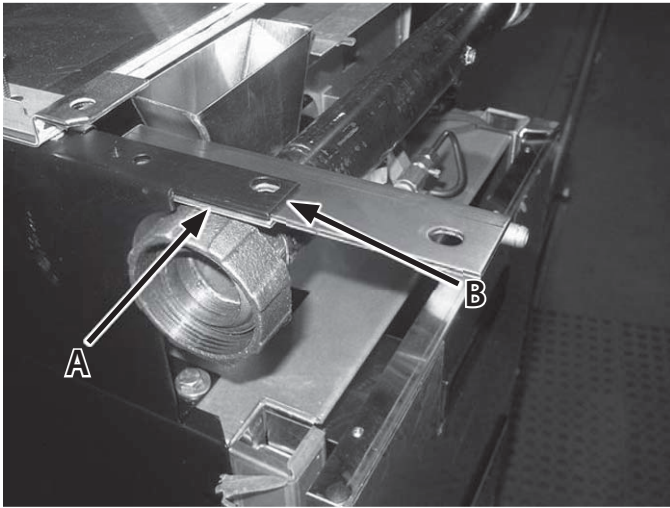


Rail with stud to align with rail center support bracket.

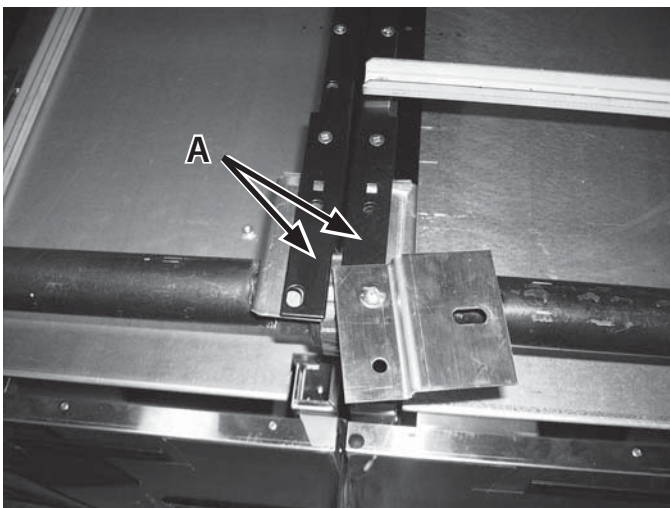


INSTALLATION Continued

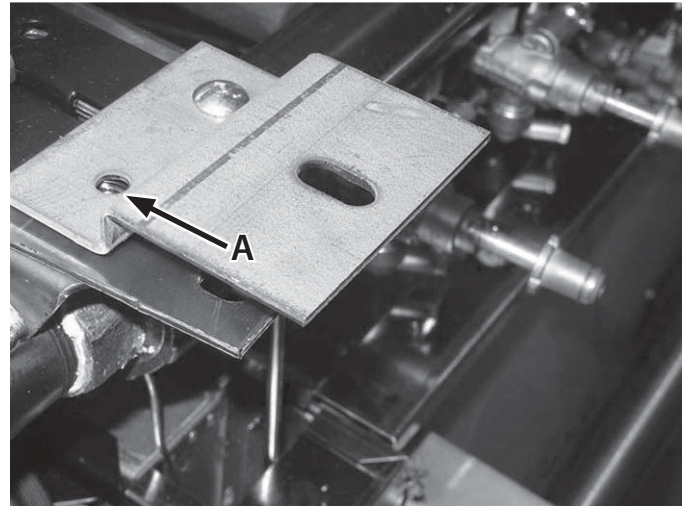
Installation



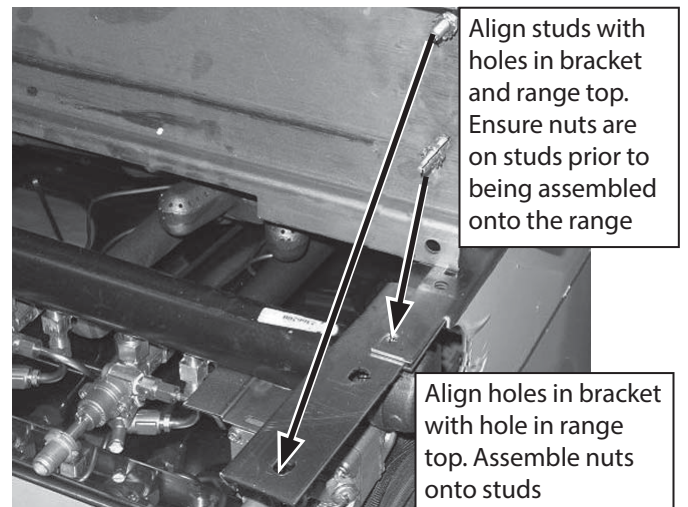
1. Install end rail support bracket.
 - A. Install end rail support bracket between manifold bracket and top flange.
 - B. Align back holes on bracket with holes in the top of the burner box side.



2. Install spacers between manifold bracket and top flange before connecting center rail support bracket across ranges. Be sure holes line up.
 - A. Spacer fits between flange and manifold bracket.



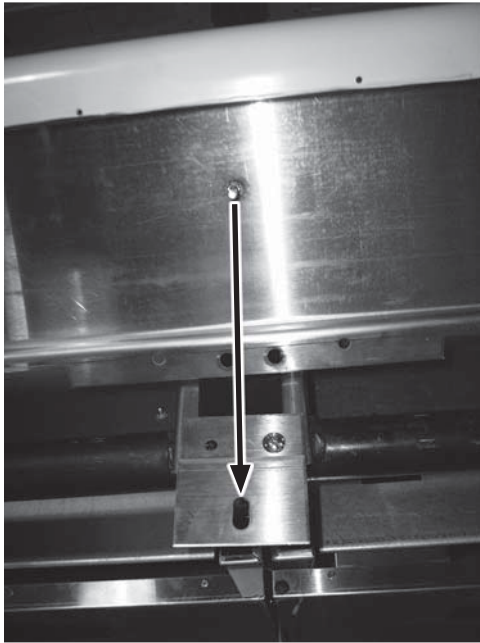
3. Align rail support bracket with holes (A) on top of 2 adjacent ranges and insert 2 screws and nuts to fasten.



4. End rail support bracket should align as per step 1. Studs at each end of rail align with holes in end rail support brackets. Assemble 1 nut onto stud before and after rail assembly.

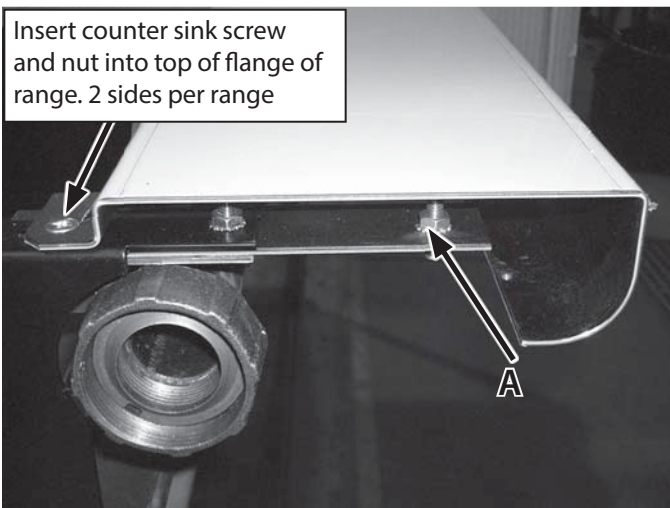
Note: End enclosure bracket should be installed at this point between rail and end bracket if required. **See final assembly option step 7.**

INSTALLATION Continued



5. Align and insert stud into rail center support bracket. Assemble nut and washer to stud after alignment.

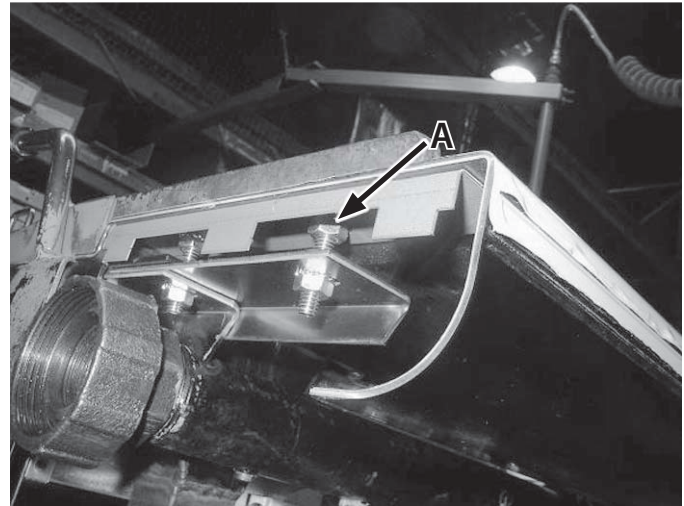
Insert counter sink screw and nut into top of flange of range. 2 sides per range



6. Final Assembly:

After rail has been assembled insert flathead screw and nut to attach rail to top side of range.

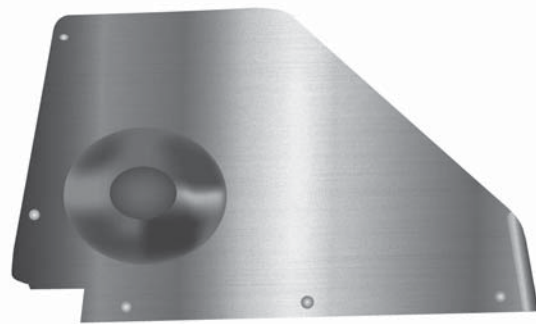
- A. Adjust rail level and position with nuts between rail and bracket and secure adjustment with nuts below the bracket. When adjustment is complete tighten countersunk screw and nut.



7. Final assembly Option: If an end enclosure is required the end enclosure bracket should be installed during rail assembly, step #4. Mount bracket over studs and tighten against underside of rail (A).

End Enclosure Parts

End Enclosure Rt/Lt



End Enclosure Bracket



INSTALLATION Continued

Pressure Regulators

1. Must have a maximum regulation capacity for the total connected load.
2. The pressure regulator(s) installed must be listed by a nationally recognized agency.
3. The pressure regulator(s) must have a pressure adjustment range to allow adjustment to the manifold pressure on the appliance rating plate.
4. Unless the manifold pressure on all connected appliances is the same, a separate pressure regulator must be supplied for each appliance(s) having differing manifold pressures.
5. Gas supply lines may be connected at right, left or both ends of a battery or at the TEE connections on spreader plates. If five (5) or more units are placed in a battery, more than one (1) supply line should be used. A readily accessible, approved type of hand shut-off valve should be installed on each supply line.

WARNING: Local codes may require that the pressure regulator be externally vented. This will be supplied by others.

Testing and Adjustments

All fittings and pipe connections must be tested for leaks. Use approved gas leak detectors, soap solutions or equivalent, checking over and around the fittings and pipe connections. **DO NOT USE A FLAME!** Accessibility to all gas lines and fittings require that valve panel(s) lower front panel(s), oven rack(s) be removed. It may be necessary to remove or at least raise and securely prop griddles, hot tops and top grates. All parts removed (including fasteners) should be stored safely for re-use.

Testing

1. Be sure that all valves and thermostats are in the "OFF" position.
2. Turn on the main gas supply valve. Light all top section pilots.
3. Leak test all valves and fittings as described in the procedure above. Correct any leaks as required and recheck.
4. Light oven pilot.
5. If the range is provided with an oven shut-off valve separate from the thermostat, turn this valve on and set the thermostat at 500 degrees. If the range oven thermostat has an "OFF" position on the dial the thermostat is equipped with an internal, integral oven shut-off valve. Set this thermostat dial to 500 degrees. In both cases, gas will now flow to the oven burner.
6. Leak test all valves, fittings, etc. As above. Correct any leaks and retest.
7. Shut off all range valves and set thermostat dials to "Off" or low position.

All units are tested and adjusted at the factory. However, burners and pilots should be checked at installation and adjusted if necessary.

OPERATION

Open Top Burners (M/MS Models)

Lighting

1. Remove top grates and ring grates.
2. Check flash tubes to see they are properly positioned on burner charge ports.
3. Light pilots.
4. Replace top grates and ring grates.
5. Turn valve completely on by rotating the knob counter-clockwise 1/4 turn. Burner flame should be 1/2" stable blue flame and should impinge on the underside of pot placed on ring grate.

Shut Down

1. Turn all valves to the "Off" position by rotating the knob clockwise 1/4 turn.
2. If the unit is to be shut down for an extended period of time, close the inline gas valve.

Open Top Burners (MST Models)

Lighting

1. Push in the gas valve and turn it anti-clockwise to the ignition position.
2. Holding the valve fully in, light pilot burner with a match or taper.
3. When the pilot is lit, continue to hold the valve fully in for 20 seconds, then release it. If the pilot goes out, wait for (5) minutes, then repeat from step 1.
4. When pilot is established, push the valve in again and turn it anti-clockwise to the desired flame setting.
5. To shut the burner off, turn the dial to the "O" position and the safety device will disengage within (60) seconds.

Hot Top Sections And Spectro-Top Sections (M Models)

Lighting

1. Raise or remove hot top sections. Every burner has one pilot located at the front right side of the burner.
2. Light pilots. The pilot burner should be adjusted to provide for rapid ignition on the burner.

3. Turn burner valve on by rotating the knob counter-clockwise 1/4 turn. A sharp blue flame should be approximately 1/4" high.
4. Replace hot top sections.

Shut Down

1. Turn all valves to the "OFF" position by rotating the knob clockwise 1/4 turn.
2. If the unit is to be shut down for an extended period of time, close the inline gas valve.

Hot Top Sections And Spectro-Top Sections (MS/MST Models)

Lighting

1. Push in the valve and turn it anti-clockwise to the ignition position.
2. Holding the valve fully in, light pilot burner with a match or taper.
3. When the pilot is lit, continue to hold the valve fully in for 20 seconds, then release it. If the pilot goes out, wait for (5) minutes, then repeat from step 1.
4. When pilot is established, push the valve in again and turn it anti-clockwise to the desired flame setting.
5. To shut the burner off, turn the dial to the "O" position and the safety device will disengage within (60) seconds.

Thermostatically Controlled Griddles (M Models)

Lighting

1. Raise griddle at front and block.
2. Light Pilots located at the front right side of each burner.
3. Sensing bulbs must be fully inserted into their individual holders which are located on the underside of the griddle.
4. Set thermostat to maximum, one at a time. Burner should have 5/16" stable blue flame. DO NOT ALLOW THE GRIDDLE TO HEAT LONGER THAN 1 MINUTE! WHEN READY TO USE THE GRIDDLE, IT MUST BE SEASONED BEFORE ACTUAL USE, SEE "SEASONING INSTRUCTION" IN THE MAINTENANCE SECTION.

OPERATION Continued

5. Lower griddle carefully into position taking extreme caution not to leave any part of the capillary tube in the burner compartment.

Shut Down

1. Turn all valves to the "OFF" position by rotating the knob clockwise 1/4 turn.
2. If the unit is to shut down for an extended period of time, close the inline gas valve.

Valve Controlled Griddles (M Models)

Lighting

1. Raise griddle at front and block.
2. Light pilots located at the front right side of each burner.
3. Turn burner valves on to full position. Burners should have 1/2" to a 5/8" stable blue flame.

DO NOT ALLOW THE GRIDDLE TO HEAT LONGER THAN 1 MINUTE! WHEN READY TO USE THE GRIDDLE, IT MUST BE SEASONED BEFORE ACTUAL USE, SEE "SEASONING INSTRUCTION" IN THE MAINTENANCE SECTION.

4. Lower griddle into position.

Shut Down

1. Turn all valves to the "OFF" position by rotating the knob clockwise 1/4 turn.
2. If the unit is to be shut down for an extended period of time, close the inline gas valve.

Valve controlled Griddles (MS/MST Models)

1. Push in the valve and turn it anti-clockwise to the ignition position.
2. Holding the valve fully in, light pilot burner with a match or taper.
3. When the pilot is lit, continue to hold the valve fully in for 20 seconds, then release it. If the pilot goes out, wait for (5) minutes, then repeat from step 1.
4. When pilot is established, push the valve in again and turn it anti-clockwise to the desired flame setting.
5. To shut the burner off, turn the dial to the "O" position and the safety device will disengage within (60) seconds.

Oven (Standard)

Lighting

1. Push in the main/pilot gas valve and turn it anti-clockwise to the ignition position.
2. Holding the oven gas valve fully in, depress the red piezo ignitor button located behind the lower drop down panel.
3. When the pilot is lit, continue to hold the oven gas valve fully in for 20 seconds, then release it. If the pilot goes out, wait for 5 minutes then repeat from step 1.
4. When pilot is established, push that gas valve in again and turn it anti-clockwise to the full on position, then set the thermostat to the desired temperature.

Shut Down

1. Turn the oven valve dial to the "O" position and the safety device will disengage within 60 seconds.
2. If the range is to be shut down for an extended period of time, close the in line gas valve.

"RC" Convection Ovens

For 115v usage, a cord and plug is provided but connection to the electrical service must comply with local codes; or in the absence of local codes, with the National electrical Code, ANSI/NFPA No. 70 - (current edition).

WARNING: Electrical Grounding Instructions.

This appliance is equipped with a three pronged (grounding) plug for your protection against shock hazard and should be plugged directly into a properly grounded three pronged receptacle. Do not cut or remove the grounding prong from this plug.

POWER FAILURE NOTE: In the event of a power failure, no attempt should be made to operate this oven. This oven is gas operated but has electrical features, motor and door switches.

A wiring diagram is attached to the rear of this unit.

Lighting Instructions

1. Push in the main/pilot gas valve and turn it anti-clockwise to the ignition position.

OPERATION Continued

2. Holding the oven gas valve fully in, depress the red piezo ignitor button located behind the lower drop down panel.
3. When the pilot is lit, continue to hold the oven gas valve fully in for 20 seconds, then release it. If the pilot goes out, wait for 5 minutes then repeat from step 1.
4. When the pilot is established, push the gas valve in again and turn it anti-clockwise to the full on position, then set the thermostat to the desired temperature.

Start Up

1. Activate the power switch to "cook" position.
2. Turn oven gas valve to the on.
3. Turn the thermostat to desired setting.

Cool Down

1. Turn thermostat and oven valve off.
2. Open door.
3. Activate power to the cool down position.

Shut Down

1. Turn thermostat off.
2. Return power switch to "OFF" position.
3. Turn oven valve off.

The motor on your range convection oven is maintenance free since it is constructed with self lubricating sealed ball bearings. It is designed to provide durable service when treated with ordinary care. We have a few suggestions to follow on the care of your motor.

- A. When the motor is operating, it cools itself internally by air entering the rear of the motor case, provided proper clearance has been allowed.
- B. Since the blower wheel is in the oven cavity it is at the same temperature as the oven. If the motor is stopped while the oven is hot, the heat from the blower wheel is conducted down the shaft and into the armature of the motor. This action could shorten motor life.

- C. We recommend, at the end of the bake or roasting period, when the oven will be idle for any period of time or before shutting down completely, that the doors be left open, and by use of the cool-down position on the fan switch, the fan continues to run for at least 20 minutes.

Note: The convection oven motor should never be turned "OFF" during cooking or when the oven is "HOT"

Char-Broiler (M,MS Models)

Lighting

1. Raise or remove the cooking grates. Every group of two (2) burners has one pilot located centrally between them.
2. Depress the piezo ignitor button to light pilots. The pilot burner should be adjusted to provide for rapid ignition on the burner.
3. Turn burner valve on by rotating the knob anti-clockwise. A sharp blue flame should be approximately 1/4" high.

Shut Down

1. Turn all valves to the "OFF" position " by rotating the knob clockwise 1/4 turn.
2. If the unit is to be shut down for an extended period of time, close the inline gas valve.

Char-Broiler (MST Models)

Lighting

1. Raise or remove the cooking grates. Every group of two (2) burners has one pilot located centrally between them.
2. Push in the gas valve and turn it anti-clockwise to the ignition position.
3. Holding the gas valve fully in, depress the red piezo ignitor button located behind the lower door panel.
4. When the pilot is lit, continue to hold the gas valve fully in for 20 seconds, then release it. If the pilot goes out, wait for (5) minutes then repeat from step 1.
5. When pilot is established, push the gas valve in again and turn it anti-clockwise to the full on position, then set the thermostat to the desired temperature.

OPERATION Continued

Shut Down

1. Turn all valves to the "OFF" position by rotating the knob clockwise 1/4 turn.
2. If the unit is to be shut down for an extended period of time, close the inline gas valve.

NOTE: MODELS WITH SUFFIX "E" ARE EQUIPPED WITH AN ELECTRIC SPARK IGNITION MODULE FOR PILOT BURNER IGNITION. PUSHING THE SPARK BUTTON WILL SIMULTANEOUSLY IGNITE ALL PILOTS.

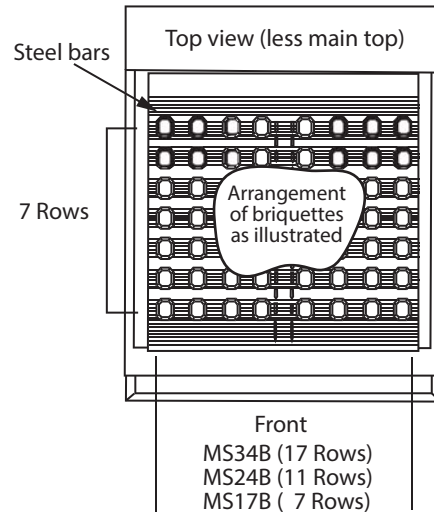
Assembly of Char-Broiler

Steel Rock Support Rods

Each broiler is supplied with 5/8" diameter steel rods to support the briquettes. These rods are to be installed in the grooves in the support bracket which are atop the main burners.

Briquettes

REFER TO THE DIAGRAM BELOW FOR THE PROPER BRIQUETTE ARRANGEMENT.



MAINTENANCE

We suggest maintenance and repairs to be performed by GARLAND authorized service agent. You will find a listing of agencies in your information manual.

Painted Finishes

Establish a regular cleaning schedule. Any spills should be wiped off immediately.

The oven should be permitted to cool down before cleaning exterior surfaces. Wipe exposed cleanable surface when cool with a mild detergent and hot water. Stubborn residue spots may be removed with a light weight non metallic scouring pad. Dry thoroughly with a clean cloth.

NOTE: Many parts of the commercial range are raw steel, (i.e. hot tops, griddles, springs, door hooks, etc.) and can react to moisture, forming rust. This occurrence is normal and not considered a factory defect. Clean with a stainless steel or fiber pad. A coating of salt free oil may be applied.

Stainless Steel Finishes

For routine cleaning just wash with a hot water and detergent solution. Wash just a small area at a time or the water will evaporate leaving the chemicals behind causing streaking. Rinse the washed area with a clean sponge dipped in a sanitizing solution and wipe dry with a soft cloth before it can dry.

Use a paste (of water and a mild scouring powder) if you have to, but never rub against the grain. All stainless steel has been polished in one direction. Rub with the polished lines to preserve the original finish. Then thoroughly rinse as before.

MAINTENANCE Continued

To prevent finger prints there are several stainless steel polishes on the market that leave an oil or waxy film. Do not use on surfaces that will be in contact with food. Stainless steel may discolor if overheated. These stains can usually be removed by vigorous rubbing with a scouring powder paste. Use only stainless steel, wooded or plastic tools if necessary to scrape off heavy deposits of grease and oil. Do not use ordinary steel scrapers or knives as particles of the iron may become imbedded and rust. **STEEL WOOL SHOULD NEVER BE USED.** Either a typical bleach solution or hot water can be used to sanitize stainless steel without harm.

Oven Interior (Porcelain Enamel)

NOTE: Disconnect line cord (if applicable) from power supply before cleaning or servicing.

1. Before cleaning oven interior, remove all oven racks and guides (if "RC" base). Oven racks and guides can be cleaned with a mild soap and warm water or run through dish washer.
2. The porcelain interior can be cleaned with oven cleaners such as "Easy-Off", or "Dow Oven cleaner". Apply only when oven is cold.

Oven Interior – Optional continuous Clean

NOTE: Disconnect line cord (if applicable) from power supply before cleaning or servicing.

1. "Break-In Period" – When the oven is new, operate the oven for at least two hours at high heat, with the oven empty, before normal cooking operating. Continue preheating the oven for two hours prior to use during the first two weeks. During this break-in period, it is important that the oven surfaces be kept clean of excessive soiling due to spillage.
2. How to put "continuous cleaning" action to work: Each day, after baking and roasting operations have ceased, empty the oven, turn the temperature control up to high heat (500 degrees). This high heat will accelerate the cleaning action and reduce the time required to effectively clean the oven. Usually the cleaning operation will take about 45 to 60 minutes.

3. Heavy Staining – When the oven appears soiled, due to heavy staining, we suggest preheating the empty oven each day for 1 or 2 hours (depending on the condition of the oven) for effective results. Also ordinary household ammonia has proven to be effective in removing baked-on "soil" build-up, and has the beneficial effect of keeping the microscopic "pores" of the coating open and free to perform its cleaning action. An occasional light swabbing with household ammonia while the oven is at room temperature will prove extremely beneficial.

Abrasives should not be used – in order to maintain continuous cleaning action, it is very important to avoid the use of abrasive materials such as steel wool scouring pads, abrasives or sharp implements which can cause permanent damage to the surface coating. In addition, oven cleaners such as "Easy-Off" or "Dow Oven Cleaner" will clog the "PORES" of the special coating and will retard the cleaning action.

4. Period "Tune-Up" – although the oven appears clean, we recommend operating the oven at high heat for 2 hours approximately once each month. This will insure against build-up of solids in hard to see places and in the pores of the coating.

Automatic Pilot Valve

The automatic pilot valve is a protective device which allows gas to flow to the burner only when the pilot burner is burning.

A too loose or too tight connection of the thermocouple nut to the automatic pilot valve can prevent the thermocouple from activating the valve. It should be drawn up finger tight and then **TIGHTENED ONLY 1/4 TURN WITH A WRENCH.**

Griddle Seasoning

- A. Remove all factory applied protective material by washing with hot water, mild detergent or soap solution.
- B. Apply a thin coat of cooking oil to the griddle surface, about one ounce per square foot of griddle surface. Spread over the entire griddle surface with a cloth to create a thin film. Wipe off any excess oil with a cloth.
- C. Light all burners, set at lowest possible setting. Some discoloring will occur when heat is applied to steel.
- D. Heat the griddle slowly for 15 to 20 minutes. Then wipe away oil. Repeat the procedure 2 to 3 times until the griddle has a slick, mirror like finish. Do this until you have reached the desired cooking temperature.

MAINTENANCE Continued

IMPORTANT: Do not attain high (on valve control) or 450 degrees (on thermostat control) during "SEASONING" period. The griddle will not require reseasoning if it is used properly. If the griddle is over heated and produce begins to stick to the surface it may be necessary to repeat the seasoning process again. If the griddle is cleaned with soap and water it will be necessary to reseason the griddle surface again.

Griddle Cleaning

DO NOT use water on griddle tops while still hot or **DO NOT COOL BY USING ICE!** THIS WILL CAUSE GRIDDLE PLATE TO WARP AND POSSIBLE CRACK. THIS IS NOT A FACTORY DEFECT.

To produce evenly cooked, perfectly browned griddle products, keep griddle free from carbonized grease. Carbonized grease on the surface hinders the transfer of heat from the griddle surface to food product. This results in uneven browning and loss of cooking efficiency, and worst of all, carbonized grease tends to cling to the griddle foods, giving them a highly unsatisfactory and unappetizing appearance. To keep the griddle clean and operating at peak performance, follow these simple instructions:

- A. **AFTER EACH USE** clean griddle thoroughly with a grill scraper or spatula. Wipe off any excess debris left from cooking process.
- B. **ONCE A DAY** clean griddle surface with a grill brick and grill pad. Remove grease container and clean thoroughly, in same manner as any ordinary cooking utensil.
- C. **ONCE A WEEK** clean griddle surface thoroughly. If necessary, use a grill stone or grill pad over the griddle surface. Rub with grain of the metal while still warm. A detergent may be used on the plate surface to help clean it, but care must be taken to be sure it is thoroughly removed. After removal of detergent, the surface of the plate should be covered with a thin film of oil to prevent rusting.

To remove discoloration, use a non-abrasive cleaner. Before re-using the griddle must be reseasoned. Keep griddle drain tube to grease container clear at all times on those models without side grease container.

CAUTION: This griddle plate is steel, but the surface is relatively soft and can be scored or dented by careless use of spatula. Be careful not to dent, scratch, or gouge the plate surface. This will cause food to stick in those areas. Also, note since this is a steel griddle if a light coating of oil is not always present rust will develop on unexposed areas.

Open Top Burners

Periodically burners should be removed and cleaned with soap and hot water. You may soak the burner in a bucket of hot soapy water and brush off any burnt on grease or debris. Allow the cast iron burner to dry thoroughly before installing into the range. If the burner ports are blocked or plugged with grease, it will be necessary to clear the ports with a wire or blunt instrument. Cast iron top grates and ring grates – clean thoroughly with hot water and a mild detergent. You may also clean with a wire brush to remove baked-on food particles.

Top Grates

Seasoning Cast Iron Top Grates

1. Remove the cast iron top grates from the range.
2. Wash the cast iron top grates thoroughly with a mild soap and warm water.
3. Dry the cast-iron top grates thoroughly with a clean cloth.
4. Immediately after drying, season the top grates lightly with a non-toxic oil, (Liquid vegetable oil or Pam spray oil).

WARNING: DO NOT SEASON THE TOP GRATES WHILE ON THE RANGE TOP! Seasoning grates on the range top over an open flame could cause a flash fire.

5. After seasoning, replace the top grates onto the range. Turn all the range top sections "ON LOW". Allow the top sections to burn in this manner for at least 20 minutes before using pots or pans on the top grates.

SEASONING OF THE TOP GRATES WILL BE REQUIRED WHENEVER THEY HAVE BEEN CLEANED. FAILURE TO SEASON GRATES WILL CAUSE RUSTING.

CAST IRON TOP and RING GRATE(s) can be cleaned with mild soap and warm water for baked on material, a wire brush can be used. Dry thoroughly, Lightly coat with vegetable oil to help prevent rust from forming. At the rear of the cast iron top grate there are spill shields. These should be removed and cleaned. Replace after cleaning to prevent grease and spillovers dripping down the back of range.

MAINTENANCE Continued

Cast Iron Hot tops and Spectro-Heat Tops

DO NOT use water on tops while still hot or DO NOT COOL BY USING ICE!

While the surface is still slightly warm, wipe down with a clean burlap cloth. Burnt on spillage should be scraped off. If necessary, remove the plate and wash in a sink with soap and hot water. Dry thoroughly. In damp climates, wipe down with a light coating of oil to prevent rusting. Avoid excessive use of water as this could damage the surface and the controls below.

NOTE: Cast Iron Hot tops & Spectro-Heat Tops surface will "tone" (blue/brown discoloration) from heat. This toning will not diminish function or operating and is not a defect.

ADJUSTMENTS

Pilot Adjustment

All pilot adjustment valves are mounted on the range top manifold.

If required the open burner pilot should be adjusted so that the tip of the pilot flame reached the middle of the flash tube opening. This flame may show a slight yellow tip.

The pilot burner for the griddle or hot top burner should provide for rapid ignition of the burner but should not impinge on any part of the burner. When properly adjusted it should neither lift off the burner nor should it show a yellow tip.

Burner Gas/Air Adjustments

Variations in field conditions, rough handling of the equipment in transit may indicate the need for adjustment of primary air to the burners. Check operation and adjust as below to provide a sharp blue flame at full rate (open valve fully so that the thermostat is calling for maximum gas flow). On the burner (star, "H" griddle, knuckle, broiler, oven burners) locate the air shutter. Loosen the lock-nut so that the air shutter turns freely. Reinstall burner. Turn on gas low and ignite burner. Rotate air shutter to obtain the following:

1. Open (Star) Burner: 1/2" stable, sharp inner blue cones.
2. Hot tops, griddles: 5/16" stable, sharp inner blue cones.
3. Knuckle burners: 4" to 6" stable, blue flame, slight yellow tips.
4. Broiler burners: 3 1/2" to 4" stable, blue flame, slight yellow tips.

If the burner flames are sharp but lift off the burner ports, reduce the amount of primary air by closing the air shutter.

NOTE: The rates shown in the chart in the specification section are maximum rates and must not be exceeded

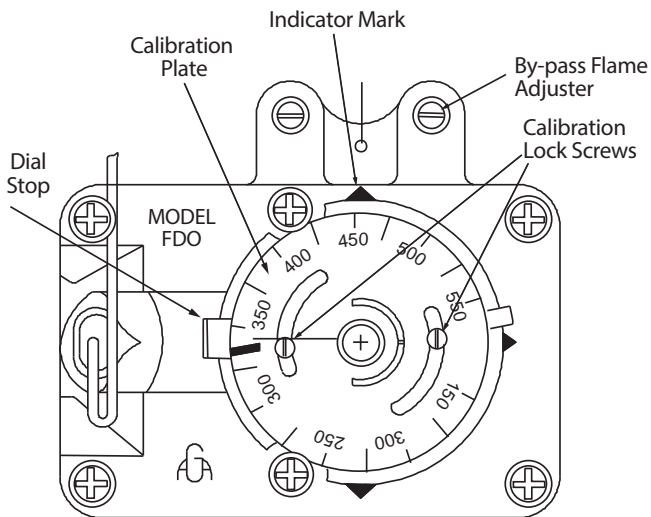
ADJUSTMENTS Continued

FDO Heavy Duty Oven Control

The model FDO oven thermostat is a precision-made instrument, carefully set at the factory to accurately control oven temperatures from 150° to 500°F, (66° to 260°C). All adjustments are accessible from the front of the appliance after moving the dial. To remove the dial, grasp the outer edges and pull straight out.

By-Pass Adjustment

The Robertshaw FDO snap/throttle thermostat requires that the by-pass flame be properly adjusted. To adjust proceed as follows:



1. Ensure pilot flame is lit and adjusted.
2. Turn oven temperature control to 200°F, (93°C), and allow the oven to heat for three minutes.
3. Turn the oven temperature control to the lowest position, then turn slowly counter-clockwise until the audible "click" is heard.
4. Making sure the oven temperature control dial is not disturbed, turn the by-pass flame adjusting screw clockwise to decrease, or counter-clockwise to increase the flame on the burner to the lowest possible stable flame. When properly adjusted, the by-pass flames will cover the entire length of the burner.

Calibration Instructions

Field calibration is seldom necessary and should not be resorted to unless experience with cooking results undoubtedly indicate that the control is not maintaining the temperature for which the dial is set. To check oven temperatures when calibrating, use only a reliable mercury thermometer, or preferably an oven pyrometer. To check calibration, proceed as follows:

1. Place the thermocouple of the test instrument or reliable mercury thermometer in the center of the oven.
2. Turn the oven temperature control knob to 400°F, (204°C), and allow the oven to cycle at least three times.
3. Continue to monitor the oven temperature, recording the readings at 5 minute intervals until three successive readings are within 5°F, (2°C), of each other.

If the temperature does not read within 15°F, (8°C), of the dial setting, recalibrate as follows.

1. Remove the oven temperature control dial, making sure the setting is not disturbed.
2. Hold the calibration plate, (located directly behind the control dial), and loosen the two calibration lock screws until the plate can be rotated independently of the control.
3. Turn the calibration plate until the temperature indicated on the plate corresponds with the reading on the test instrument. Hold the plate in place and tighten the screws firmly.
4. Repeat step 3 in the previous section, checking the temperature to ensure the adjustment has been made properly.
5. Replace the temperature control dial.

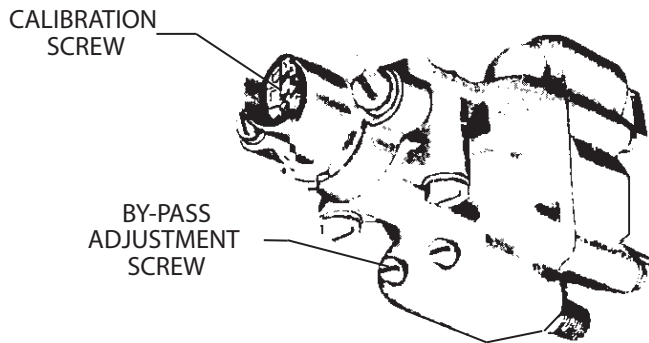
NOTE: If adjustment of the calibration plate is prevented by the position of the lock screws, the screws can be moved to other holes that have been tapped for them.

ADJUSTMENTS Continued

BJWA Griddle Thermostat

When the griddle surface reaches the temperature for which the dial is set the control cuts down the flow of gas to the amount required to keep the griddle at that temperature. The control must be adjusted to pass enough gas to keep the entire burner ignited. To properly adjust the by-pass setting, proceed as follows:

1. Light the burner by turning the dial fully "ON."
2. After 5 minutes, turn the dial clockwise to a point slightly past, (to the right of), the first mark on the dial.
3. Remove the dial by pulling it straight off.
4. With a screwdriver, turn the by-pass adjustment screw counter-clockwise to decrease the flame, or clockwise to increase the flame, until there is a minimum flame along the entire burner.



ROBERTSHAW BJWA
THERMOSTAT

Calibration

1. Use a Robertshaw test instrument with a disc-type thermocouple, or a reliable "surface" type thermometer. (NOTE: A drop of oil on the face of the disc will provide for better contact.)
2. Turn ALL griddle control dials to 400°F, (240°C). allow the temperature to stabilize by waiting for the thermostat(s) to cycle three times before taking a temperature reading.
3. Check the temperature reading when the control cuts down to by-pass, by placing the sensor firmly on the griddle surface directly above the sensing bulb of the control. Test instrument should read from 350° to 410°F, (196° to 213°C). If the dial setting does not agree with the test instrument reading within the above limits, recalibrate.

NOTE: NO ATTEMPT SHOULD BE MADE TO RECALIBRATE THE GRIDDLE CONTROL WITHIN THE WARRANTY PERIOD IF THE TEMPERATURE IS WITHIN $\pm 20^{\circ}\text{F}$ OF THE DIAL SETTING. RECALIBRATION SHOULD BE PERFORMED IF THE CONTROL IS FOUND TO BE INACCURATE BY MORE THAN $\pm 20^{\circ}\text{F}$, AND LESS THAN $\pm 50^{\circ}\text{F}$. IF THE CONTROL IS FOUND TO BE INACCURATE BY MORE THAN $\pm 50^{\circ}\text{F}$ DURING THE WARRANTY PERIOD, THE CONTROL WILL BE REPLACED UNDER WARRANTY.

To recalibrate:

1. Remove the dial and push out the center metal insert.
2. Replace the dial without the insert.
3. Holding the dial firmly in place, insert a screwdriver through the center of the dial and seat it in the slot in the calibration screw. DO NOT TURN THIS SCREW! Exert pressure on the screwdriver to push the calibration stem inward.
4. While holding the calibration stem pushed inward with the screwdriver, turn the control DIAL to the temperature indicated on the test instrument. Release pressure on the calibration stem.
5. Remove the dial from the control, replace the dial insert, and reinstall the dial on the control.
6. Set the dial to 450° F, (232° C). Check temperature as before. If the temperature is not now within the acceptable $\pm 20^{\circ}\text{F}$, (4°C), range, the sensing element is inoperative and the control should be replaced.

CONVECTION OVEN USER TIPS – SUFFIX “RC”

- As a guide, set oven temperatures 25° to 50° lower than called for in recipes or directions using standard or conventional ovens. Cooking time may be less depending upon the product you are preparing. 2% to 5% is a general rule. Product should be watched the first time it is prepared.
- Cooking time and oven temperature will vary depending upon such factors as size of load, temperature of product, and mixture of recipe, particular moisture.
- When you have established satisfactory time and temperature for your products, record them on a chart and keep as a reference guide.
- Preheat oven thoroughly before use. To reach 350° takes approximately 15 minutes. The burner “ON” light will go off when temperature is reached. For optimum results oven should be preheated for 30 minutes to allow for thorough heat saturation.
- The load should be centered on the racks to allow for proper heat circulation around the sides.
- Load size. The oven will hold three (3) 18” x 26” sheet pans, six (6) 12” x 20” x 2.5” steam table pans or one (1) 21” x 17 x 7” roast pan with cover.
- Never place pans directly on the oven bottom. Always use the lowest rack position which will allow the air to circulate within the oven cavity.
- Load and unload food as quickly as possible to prevent an excessive drop in temperature.
- Avoid using wrapped pans since level pans bake more evenly.
- Do not use a deep pan for shallow cakes, cookies, etc. as circulation across the surface is essential for even cooking and browning.
- To prevent excessive shrinkage, roast meats at a low temperature, 250° to 325°.
- When rethermalizing frozen products, preheat the oven 50° higher than cooking temperature to compensate for heat loss during and after loading. Thermostat must be returned to cooking temperature after loading.
- To conserve energy, turn the oven off and cool down when not in use.

TROUBLE SHOOTING CONVECTION OVEN

Cakes are dark on the sides and not done in the center	Lower oven temperature
Cake edges are too brown	Reduce number of pans or lower temperature
Cakes have light outer color	Raise temperature
Cake settles slightly in the center	Bake longer or raise oven temperature slightly Do not open doors to oven for long periods
Cake ripples	Overloading pans or batter is too thin
Cakes are too coarse	Lower oven temperature
Pies have uneven color	Reduce number of pies per rack or eliminate use of bake pans
Cupcakes crack on top	Lower oven temperature
Meats are browned and not done in the center	Lower oven temperature and roast longer
Meats are well done and not browned	Raise temperature Limit amount of moisture
Meats develop hard crust	Reduce temperature or place pan of water in oven

Notes

Every new piece of Manitowoc Foodservice equipment comes with KitchenCare™ and you choose the level of service that meets your operational needs from one restaurant to multiple locations.

StarCare – Warranty & lifetime service, certified OEM parts, global parts inventory, performance audited

ExtraCare — CareCode, 24/7 Support, online/mobile product information

LifeCare – Install & equipment orientation, planned maintenance, KitchenConnect™, MenuConnect

Talk with KitchenCare™ • 1-844-724-CARE • www.mtwkitchencare.com



To learn how Manitowoc Foodservice and its leading brands can equip you, visit our global web site at www.manitowocfoodservice.com, then discover the regional or local resources available to you.





GARLAND
1177 KAMATO ROAD, MISSISSAUGA, ONTARIO, CANADA, L4W1X4
888-442-7526
WWW.GARLAND-GROUP.COM



To learn how Manitowoc Foodservice and its leading brands can equip you, visit our global web site at www.manitowocfoodservice.com, then discover the regional or local resources available to you.



Every new piece of Manitowoc Foodservice equipment comes with KitchenCare™ and you choose the level of service that meets your operational needs from one restaurant to multiple locations.

- StarCare** – Warranty & lifetime service, certified OEM parts, global parts inventory, performance audited
- ExtraCare** — CareCode, 24/7 Support, online/mobile product information
- LifeCare** – Install & equipment orientation, planned maintenance, KitchenConnect™, MenuConnect

Talk with KitchenCare™ • 1-844-724-CARE • www.mntwkitchencare.com

©2014 Manitowoc Foodservice except where explicitly stated otherwise. All rights reserved.

CONSEILS POUR L'UTILISATEUR DU FOUR À CONVECTION - SUFFIXE «RC»

- D'une façon générale, régler les températures du four 25 à 50° en dessous de la température indiquée dans les recettes pour les fours standards ou conventionnels. Le temps de cuisson peut être inférieur selon le produit préparé, entre 2 et 5 % en général. Surveiller le produit lors de la première préparation.
- Le temps de cuisson et la température du four varient en fonction de facteurs tels que le poids de la charge, la température du produit et le mélange de la recette, du pourcentage d'eau en particulier.
- Une fois que l'on a établi des temps et températures de cuisson satisfaisants par produit, il est bon de les noter sur un tableau et de les conserver comme guide de référence.
- Bien préchauffer le four avant son utilisation. Pour atteindre la température de 350°, il faut compter environ 15 minutes. L'indicateur lumineux du brûleur «ON» s'éteint lorsque la température est atteinte. Pour obtenir un résultat optimal, le four doit être préchauffé pendant 30 minutes pour permettre la saturation de la chaleur.
- Les charges doivent être centrées sur les grilles pour permettre une bonne circulation de la chaleur sur les côtés.
- Pour économiser l'énergie, arrêter le four et le laisser refroidir s'il n'est pas utilisé.

DÉPANNAGE DU FOUR À CONVECTION

Les gâteaux sont foncez sur les côtés, mais ne sont pas cuits au centre	Diminuer la température du four
Les bords des gâteaux sont trop bruns	Réduire le nombre de plaques ou diminuer la température
Les gâteaux ont une couleur extérieure claire	Augmenter la température
Le gâteau est légèrement affaissé au milieu	Augmenter la durée de la cuisson ou augmenter légèrement la température du four. Ne pas ouvrir les portes du four pendant de longues périodes
Formation de rides sur le gâteau	Surcharge des plaques ou pâte trop fine
Les gâteaux sont trop lourds	Diminuer la température du four
Les tartes ne sont pas de couleur égale	Réduire le nombre de tartes par plaque ou ne pas utiliser de moule de cuisson
Les petits gâteaux sont fendus sur le dessus	Diminuer la température du four
Si les viandes sont brunies, mais ne sont pas cuites au centre	Si les viandes sont brunies, mais ne sont pas brunies
Si les viandes présentent une croûte dure	Réduire la température ou placer un bac rempli d'eau dans le four

2. Tourner TOUTS les cadrans de commande de température du grill à 400°F (240°C). Laisser la température se stabiliser en attendant que les thermostats s'allument et s'éteignent trois fois avant de mesurer la température.
3. Vérifier la température quand la commande coupe l'alimentation vers la dérivation en appuyant fermement le capteur sur la surface du grill, directement au-dessus du bulbe thermostatique de la commande. L'instrument devrait indiquer une température comprise entre 350° et 410°F (196° et 213°C). Si le réglage du cadran ne correspond pas à la mesure de l'instrument d'essai dans les limites ci-dessus, procéder à un nouvel étalonnage.

NOTA : NE PAS ESSAYER D'ÉTALONNER LA COMMANDE DE GRILL PENDANT LA PÉRIODE DE GARANTIE SI LA TEMPÉRATURE EST À $\pm 20^\circ\text{F}$ DU RÉGLAGE DU CADRAN UN NOUVEL ÉTALONNAGE DOIT ÊTRE EFFECTUÉ SI LA DIFFÉRENCE DE TEMPÉRATURE DE LA COMMANDE EST SUPÉRIEURE À $\pm 20^\circ\text{F}$ ET INFÉRIEURE À $\pm 50^\circ\text{F}$. SI L'ÉCART EST SUPÉRIEUR À $\pm 50^\circ\text{F}$ PENDANT LA PÉRIODE DE GARANTIE, LA COMMANDE SERA REMPLACÉE AU TITRE DE LA GARANTIE.

Pour Étalonner :

1. Retirer le cadran et pousser l'insert métallique central pour le faire sortir.
2. Remettre en place le cadran sans s'insérer.
3. Tout en maintenant fermement le cadran en place, insérer un tournevis dans le centre du cadran et le placer dans la fente de la vis d'étalonnage. NE PAS TOURNER CETTE VIS! Exercer une pression sur le tournevis pour pousser la tige d'étalonnage vers l'intérieur.
4. Tout en maintenant la tige d'étalonnage enfoncée avec le tournevis, tourner le CADRAN de commande à la température indiquée sur l'instrument d'essai. Relâcher la pression sur la tige d'étalonnage.
5. Retirer le cadran de la commande; remettre en place l'insert du cadran et remonter le cadran sur la commande.
6. Régler le cadran à 450° F (232° C). Vérifier la température comme précédemment. Si la température ne présente toujours pas un écart acceptable de $\pm 20^\circ\text{F}$ (4°C), le bulbe thermostatique ne fonctionne pas et la commande doit être remplacée.

Instructions D'étalonnage

L'étalonnage sur place est rarement nécessaire et on ne devra pas essayer de le faire sauf si les résultats de cuisson démontrent sans aucun doute que les commandes ne maintiennent pas les températures sur lesquelles sont réglées les commandes. Pour vérifier les températures du four lors de l'étalonnage, utiliser uniquement un thermomètre à mercure ou, de préférence, un pyromètre pour four. Pour vérifier l'étalonnage, procéder comme suit :

1. Placer le thermocouple de l'instrument d'essai ou un thermomètre à mercure fiable au centre du four.

2. Tourner le bouton de commande de température du four sur 400°F (204°C) et laisser le four s'allumer et s'éteindre au mois trois fois.

3. Continuer de surveiller la température du four en notant les résultats à intervalles de 5 minutes jusqu'à ce que trois mesures successives aient un écart maximal de 5°F (2°C) entre elles.

Si la température diffère de plus de 15°F (8°C) de la température du cadran, réétalonner comme suit.

1. Retirer le cadran de commande de température du four en s'assurant que le réglage n'est pas modifié.

2. Immobiliser la plaque d'étalonnage (située directement derrière le cadran de commande) et desserrer les deux vis de verrouillage d'étalonnage jusqu'à ce que la plaque puisse tourner indépendamment de la commande.

3. Tourner la plaque d'étalonnage jusqu'à ce que la température indiquée sur la plaque corresponde à la mesure effectuée avec l'instrument d'essai. Maintenir la plaque en place et bien serrer les vis.

4. Répéter l'étape 3 de la section précédente, en vérifiant la température pour s'assurer que le réglage a été effectué correctement.

5. Remettre en place le cadran de commande de température.

NOTA : Si la position des vis de blocage empêche le réglage de la plaque d'étalonnage, les vis peuvent être déplacées dans d'autres trous qui ont été filetés.

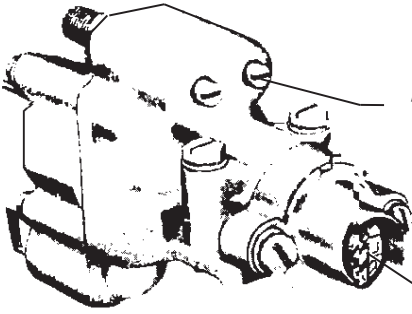
Thermostat De Gril BJWA

Quand la surface du grill atteint la température pour laquelle le cadran est réglé, la commande limite l'alimentation en gaz à la quantité nécessaire pour maintenir le grill à cette température. La commande doit être réglée pour laisser passer assez de gaz pour maintenir tout le brûleur allumé. Pour régler correctement la commande de dérivation, procéder comme suit :

1. Allumer le brûleur en ouvrant complètement le cadran.
2. Au bout de 5 minutes, tourner le cadran dans le sens des aiguilles d'une montre jusqu'à un point situé légèrement après (à droite de) la première marque sur le cadran.
3. Retirer le cadran en tirant droit dessus
4. Avec un tournevis, tourner la vis de réglage de dérivation dans le sens inverse des aiguilles d'une montre pour diminuer la flamme ou dans le sens des aiguilles d'une montre pour augmenter, jusqu'à ce qu'il y ait une flamme minimum sur la totalité du brûleur.

VIS D'ÉTALONNAGE

VIS DE RÉGLAGE DE DÉRIVATION



THERMOSTAT BJWA ROBERSHAW

Étalonnage

1. Utiliser un instrument d'essai Robertshaw avec un thermocouple de type à disque ou un pyromètre fiable de type «surface». (NOTA : Une goutte d'huile à la surface du disque assurera un meilleur contact.)

Réglage Des Veilleuses

Tous les robinets de réglage des veilleuses sont situés sur le collecteur supérieur de la cuisinière.

Si nécessaire, la veilleuse des brûleurs ouverts doit être réglée de façon à ce que l'extrémité de la flamme de veilleuse atteigne le milieu de l'ouverture du tube à décharge. Cette flamme peut avoir une extrémité légèrement jaune.

La veilleuse pour le brûleur du grill ou de la plaque de cuisson doit allumer rapidement le brûleur, mais ne doit pas empêter sur le brûleur. Une fois correctement réglée, elle ne devrait pas décoller du brûleur ni avoir une pointe jaune.

Réglage Du Mélange Gaz/Air Du Brûleur

Les variations des conditions sur place ou une maintenance brutale durant le transport du matériel peuvent rendre nécessaire le réglage de l'arrivée d'air primaire aux brûleurs. Vérifier le fonctionnement et régler comme indiqué ci-dessous de façon à obtenir une flamme bleue à plein régime (ouvrir le robinet complètement de manière à ce que le thermostat provoque le débit maximal de gaz). Localiser le brûleur d'air du brûleur (grilloir à plaque ouverte, grill en «H», rôtissoire, brûleurs articulés, brûleurs ouverts). Desserrer l'écrou de blocage pour permettre à l'obturateur de tourner librement. Remettre le brûleur en place. Ouvrir le gaz et allumer le brûleur. Faire tourner l'obturateur pour obtenir :

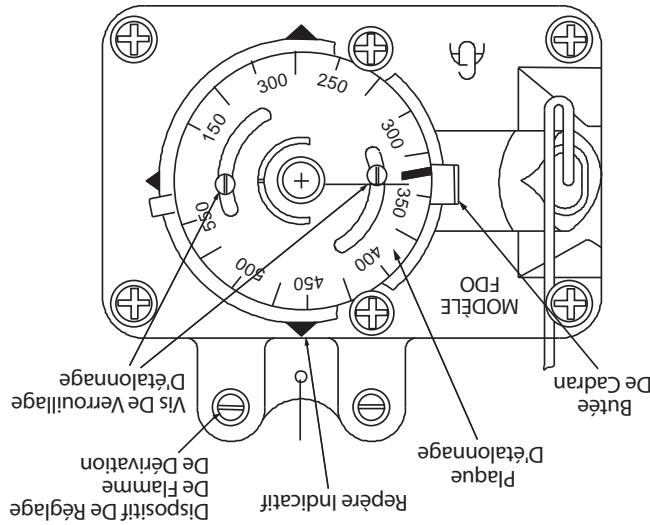
1. Brûleur ouvert flamme stable de 1/2 po, cônes internes bleus.
 2. Plaques de cuisson - grills - flamme stable de 5/16 po, cônes internes bleus.
 3. Brûleurs articulés - flamme stable de 4 à 6 po, flamme bleue avec les pointes légèrement jaunes.
 4. Brûleurs de la rôtissoire - flamme stable, bleue de 3 1/2 à 4 po avec les pointes légèrement jaunes.
- Si la flamme du brûleur est bleue, mais décollée des orifices du brûleur, réduire la quantité d'air primaire en fermant l'obturateur d'air.
- REMARQUE : les valeurs indiquées dans le tableau sont des valeurs maximales à ne pas dépasser.

Commande De Four Robuste FDO

Le modèle FDO de thermostat de four est un instrument de précision, réglé soigneusement en usine pour contrôler avec précision les températures du four entre 150° et 500°F (66° et 260°C). Tous les réglages sont accessibles depuis l'avant de l'appareil après avoir déposé le cadran. Pour déposer le cadran, saisir les bords extérieurs et tirer tout droit.

Réglage De Derivation

Le thermostat FDO Robertshaw exige que la flamme de dérivation soit correctement réglée. Pour effectuer ce réglage, procéder comme suit :



1. Vérifier que la flamme de veilleuse est allumée et réglée.
2. Tourner le bouton de commande de température du four à 200°F (93°C) et laisser le four chauffer pendant trois minutes.
3. Tourner la commande de température du four à la position la plus basse, puis la tourner lentement dans le sens inverse des aiguilles d'une montre jusqu'à ce qu'on entende un « clic ».
4. En s'assurant que le cadran de commande de température du four n'est pas déréglé, tourner la vis de réglage de flamme de dérivation dans le sens des aiguilles d'une montre pour augmenter ou dans le sens inverse pour diminuer la flamme du brûleur afin d'obtenir la flamme basse la plus stable possible. Une fois correctement réglées, les flammes de dérivation couvriront toute la longueur du brûleur.

Pour éliminer la décoloration, utiliser un produit de nettoyage non-abrasif. Avant de réutiliser le grill, celui-ci doit être appreté à nouveau. Maintenir le tube de vidange de graisse propre surtout sur les modèles sans contenant à graisse latéral.

AVERTISSEMENT : Cette plaque de grill est en acier, mais la surface est relativement tendre et peut être rayée ou entamée si ont utilise une spatule sans faire attention. Faire attention à ne pas bosseler, rayer ou creuser la surface de la plaque sinon les aliments attacheront dans ces endroits. Noter également qu'étant donné que la plaque est en acier, l'absence d'un film d'huile permanent sur sa surface causera l'apparition de rouille sur ces surfaces non exposées.

Brûleurs Du Grilloir À Plaque Ouverte

Retirer périodiquement les brûleurs et les nettoyer avec de l'eau chaude et du savon. On peut faire tremper les brûleurs dans un seau d'eau savonneuse chaude et les brosser afin d'en éliminer la graisse brûlée et les débris. Laisser complètement sécher les brûleurs en fonte, avant de les installer dans la cuisinière. Si les orifices du brûleur sont obstrués ou bouchés par la graisse, les nettoyer à l'aide d'un fil de fer ou d'un instrument non pointu. Les grilles supérieures en fonte doivent être nettoyées à l'eau chaude et au détergent doux. On peut également les nettoyer avec une brosse métallique pour retirer les particules alimentaires recuites.

Grilles Supérieures Apprêtage Des Grilles Supérieures En Fonte

1. Enlever les grilles supérieures en fonte de la cuisinière.
2. Laver soigneusement les grilles en fonte avec de l'eau chaude et un savon doux.
3. Sécher soigneusement les grilles en fonte avec un torchon propre.
4. Immédiatement après le séchage, apprêter légèrement les grilles supérieures avec une huile non-toxique (huile végétale liquide ou huile en pulvérisateur Pam).

AVERTISSEMENT : NE PAS FAIRE L'APPRÊTAGE LORSQUE LES GRILLES SE TROUVENT SUR LE DESSUS DE LA CUISINIÈRE. SI l'apprêtage des grilles est fait au-dessus d'une flamme nue, cela présente un risque d'incendie instantané.

5. Après l'apprêtage, remettre les grilles supérieures sur la cuisinière. Allumer toutes les sections supérieures sur «ON LOW» et les laisser chauffer ainsi pendant 20 minutes au minimum, avant d'utiliser des casseroles ou des poêles sur les grilles supérieures.

L'APPRÊTAGE DES GRILLES SUPÉRIEURES SERA NÉCESSAIRE APRÈS CHAQUE NETTOYAGE DE CES GRILLES. SI CETTE PROCÉDURE N'EST PAS RESPECTÉE, LA ROUILLE FERA SON APPARITION.

LES GRILLES SUPÉRIEURES EN FONTE peuvent être nettoyées avec de l'eau tiède et du savon doux. Pour déloger les aliments recuits dessus, on peut utiliser une brosse métallique. Bien sécher et appliquer une légère couche d'huile végétale pour empêcher les grilles de rouiller. À l'arrière de la grille supérieure en fonte se trouvent les écrans antidéversement. Ils doivent être retirés et nettoyés. Les remettre en place après les avoir nettoyés pour éviter que la graisse et les déversements ne tombent derrière la cuisinière.

Plaques Chauffante En Fonte Et Plaques Chauffantes Spectro

NE PAS UTILISER D'EAU sur les plaques encore chaudes et NE PAS LES REFFROIDIR EN UTILISANT DE LA GLACE!

Lorsque la surface est encore légèrement tiède, essuyer à l'aide d'un torchon propre en toile à sac. Gratter les déversements recuits. Si nécessaire, retirer la plaque et la laver dans un évier avec de l'eau chaude et du savon. Bien sécher. Dans les climats humides, passer une légère couche d'huile pour empêcher la formation de rouille. Éviter d'utiliser trop d'eau pour cela pour éviter d'endommager les surfaces et commandes en dessous.

REMARQUE : La couleur de la surface des plaques chauffante en fonte et des plaques Spectro-Heat «vire» (décoloration bleue/brune) à cause de la chaleur. Ceci n'a aucun effet sur l'efficacité et le fonctionnement et n'est pas considéré comme un défaut.

- A. Eliminer tous les produits de protection appliqués en usine en lavant avec de l'eau chaude, du détergent doux ou une solution savonneuse.
- B. Appliquer une fine couche d'huile de cuisson sur la surface du grill, à raison d'une once par pied carré de surface du grill. Étaler sur toute la surface du grill avec un chiffon afin de déposer un film mince. Essuyer tout excès d'huile avec un chiffon.

Apprêtage Du Grill

Une connexion trop lâche ou trop serrée de l'écran du thermocouple au robinet de veilleuse automatique peut empêcher le thermocouple d'activer le robinet. Cet écran doit d'abord être serré à la main et SERRÉ ENSUITE DE 1/4 DE TOUR SEULEMENT AVEC UNE CLÉ.

Le robinet de veilleuse automatique est un dispositif de sécurité permettant l'arrivée de gaz au brûleur du four uniquement si la veilleuse est allumée.

Robinet De Veilleuse Automatique

4. « Mise au point » périodique - Même si le four paraît propre, nous recommandons de faire fonctionner le four à température élevée pendant 2 heures une fois par mois. Cette façon de faire élimine le risque d'accumulation de dépôts dans les endroits difficilement visibles et dans les pores du revêtement.

Ne pas utiliser de produits abrasifs - Afin de maintenir l'action de nettoyage continu, il est très important de ne pas utiliser de produits abrasifs comme les tampons à récuser en laine d'acier, des outils abrasifs ou pointus qui peuvent causer des dommages définitifs au revêtement de surface. De plus, les produits de nettoyage pour fours, tels que « Easy-Off » ou « Dow Oven Cleaner » obstruent les « pores » du revêtement spécial et retardent l'action de nettoyage.

3. Salissures importantes - Lorsque le four paraît sale à cause de tâches tenaces, nous suggérons de préchauffer chaque jour le four vide pendant 1 ou 2 heures (en fonction de l'état du four) pour obtenir de bons résultats. Il est également établi que l'utilisation d'ammoniac ménager ordinaire est très efficace pour se débarrasser des tâches recuites et pour maintenir les « pores » microscopiques du revêtement du four ouvertes et capables d'effectuer leur action nettoyante. Il est très utile de frotter légèrement à l'occasion les surfaces internes du four avec de l'ammoniac ménager quand le four est à la température de la pièce.

- C. Allumer tous les brûleurs réglés au plus bas. Une certaine décoloration se produira sous l'action de la chaleur sur l'acier.
 - D. Chauffer le grill doucement pendant 15 à 20 minutes. Essuyer ensuite l'huile. Recommencer la procédure 2 à 3 fois jusqu'à ce que le grill présente un aspect lisse, comme un miroir. Faire cette opération jusqu'à ce que l'appareil arrive à la température de cuisson désirée.
- IMPORTANT :** Ne pas atteindre la marque « High » (sur la commande de robinet ou 450 degrés) (sur la commande du thermostat) pendant la période d'apprêtage. Il ne sera pas nécessaire de répéter l'apprêtage du grill s'il est correctement utilisé. Si le grill est surchauffé et que les aliments commencent à s'attacher à sa surface, il peut être nécessaire de refaire l'opération d'apprêtage. Si le grill est nettoyé à l'eau et au savon, il faudra procéder à nouveau à l'apprêtage de sa surface.
- ## Nettoyage Du Grill
- NE PAS utiliser d'eau sur les surfaces chaudes du grill et NE PAS UTILISER DE GLACE POUR LES FAIRE REFFROIDIR! CELA DÉFORMERA LA PLAQUE DU GRILL ET POURRAIT LE FAIRE FENDRE. CE CI N'EST PAS UN DÉFAUT DE FABRICATION.
- Pour obtenir des aliments uniformément cuits et dorés, éliminer toute trace de graisses carbonisées. Les graisses carbonisées sur la surface de cuisson empêchent le transfert de la chaleur du grill vers les aliments, ce qui provoque une coloration inégale et une perte d'efficacité de la cuisson et surtout ces graisses carbonisées ont tendance à coller aux aliments et leur donnent un aspect insatisfaisant et inappétant. Pour maintenir le grill propre et en bon état de fonctionnement, suivre ces instructions simples :
- A. APRÈS CHAQUE UTILISATION, nettoyer soigneusement la surface du grill avec un racleur à grill ou une spatule.
 - B. UNE FOIS PAR JOUR, nettoyer la surface du grill avec une brosse à grill et un tampon à grill. Retirer le contenant à graisse et bien le nettoyer comme tout autre outil de cuisson.
 - C. UNE FOIS PAR SEMAINE, nettoyer soigneusement la surface du grill. Si nécessaire, utiliser une pierre à grill ou un tampon à grill pour nettoyer la surface. Frotter dans le sens du grain du métal encore tiède. Il est possible d'utiliser un détergent pour nettoyer la surface du grill. Cependant il faut veiller à bien en éliminer les résidus. Après élimination du détergent, la surface du grill doit être couverte d'un mince film d'huile pour l'empêcher de rouiller.

Nous suggérons que la maintenance et les réparations soient effectuées par l'agent de services agréé Garland. Vous trouverez une liste des agences dans votre manuel d'information.

Finis Peints

Il convient d'établir un calendrier de nettoyage régulier. Tout déversement doit être immédiatement nettoyé.

Il est nécessaire de laisser refroidir le four avant de procéder au nettoyage des surfaces externes. Essuyer les surfaces exposées pouvant être nettoyées lorsqu'elles sont froides avec du détergent doux et de l'eau chaude. Les résidus tenaces peuvent être retirés à l'aide d'un tampon à récurer non-métallique. Bien sécher avec un torchon propre.

REMARQUE : De nombreuses parties d'une cuisinière professionnelle sont en acier brut (par ex. plaques de cuisson, grills, ressorts, crochets de porte, etc.), et peuvent réagir en présence d'humidité et rouiller. Ceci est normal et n'est pas considéré comme défaut de fabrication. Nettoyer ces pièces avec un tampon à récurer en acier inoxydable ou en fibre. On peut y appliquer une couche d'huile sans sel.

Finis En Acier Inoxydable

Pour le nettoyage de routine, laver simplement avec une solution d'eau et de détergent. Laver une petite surface à la fois, sinon l'eau s'évapora et laissera sur la surface des traces de détergent. Rincer la surface lavée avec une éponge trempée dans une solution désinfectante et sécher avec un torchon doux avant que la zone nettoyée ne sèche.

Utiliser une pâte (mélange d'eau et de poudre à récurer douce) si nécessaire, mais en prenant soin de ne jamais travailler à contre sens. Toutes les surfaces en acier inoxydable sont polies dans un sens. Frotter en respectant ce sens pour préserver l'apparence d'origine. Rincer ensuite comme indiqué précédemment.

Pour supprimer les empreintes digitales sur les surfaces extérieures, il existe de nombreux produits disponibles dans le commerce qui laissent un film huileux ou ciré sur la surface. Ne pas utiliser de tels produits sur les surfaces pouvant être en contact avec les aliments. L'acier inoxydable peut se décolorer s'il est trop chauffé. Ces taches peuvent être éliminées en frottant vigoureusement avec de la crème à base de poudre à récurer. Utiliser uniquement des outils en acier inoxydable, en bois ou en plastique pour gratter si nécessaire les résidus tenaces de graisses ou d'huiles. Ne

Intérieur Du Four (Fini En Email Vitriifié)

REMARQUE : Débrancher le cordon d'alimentation électrique (le cas échéant) de la source électrique avant de procéder au nettoyage ou à l'entretien.

1. Avant de nettoyer l'intérieur du four, enlever les grilles et guides du four (en cas de base «RC»). Ces pièces peuvent être nettoyées avec de l'eau tiède savonneuse ou être mises dans le lave-vaisselle.

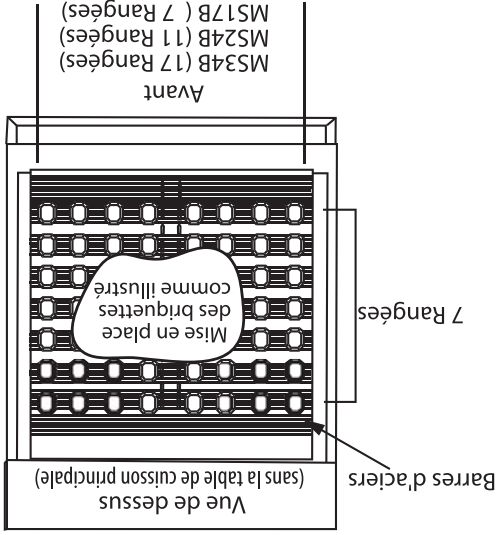
2. Les surfaces intérieures en émail vitriifié peuvent être nettoyées avec du produit de nettoyage pour fours comme le «Easy-Off» ou «DOW Oven Cleaner». Ces produits doivent être uniquement utilisés dans le four froid.

Intérieur Du Four – Fini À Nettoyage Continu En Option

REMARQUE : Débrancher le cordon d'alimentation électrique (le cas échéant) de la source électrique avant de procéder au nettoyage ou à l'entretien.

1. Période de «rodage» - Lorsque le four est neuf, le faire fonctionner pendant au moins 2 heures à haute température et à vide, avant de procéder aux opérations de cuisson normales. Continuer de préchauffer le four pendant deux heures avant de l'utiliser durant les deux premières semaines. Pendant cette période de «rodage», il est important de ne pas laisser s'accumuler sur les surfaces du four des dépôts dus aux déversements.

2. Comment faire fonctionner le «nettoyage continu» - Chaque jour, après l'arrêt des opérations de cuisson, vider le four, mettre la commande de température sur le réglage fort (500 degrés). Cette chaleur élevée accélérera l'action de nettoyage et réduira le temps nécessaire pour le nettoyage efficace du four. Habituellement, l'opération de nettoyage prend entre 45 et 60 minutes.



SE REPORTER AU DESSIN CI-DESSOUS POUR LA MISE EN PLACE DES BRIQUETTES.

Briquettes

Chaque gril est livré avec des tiges en acier de 5/8 po de diamètre destinées à supporter les briquettes. Ces tiges sont montées dans les rainures des supports, qui sont au-dessus des brûleurs principaux.

Tiges En Acier De Support Des Roches

Montage Du Gril Type Charbon De Bois

REMARQUE : LES MODÈLES AVEC LE SUFFIXE «E» SONT ÉQUIPÉS D'UN MODULE D'ALLUMAGE À ÉTINCELLE ÉLECTRIQUE POUR L'ALLUMAGE DES VEILLEUSES. EN APPUYANT SUR LE BOUTON, ON ALLUME TOUTES LES VEILLEUSES EN MÊME TEMPS.

1. Placer tous les robinets en position de fermeture en tournant le bouton d'1/4 de tour dans le sens des aiguilles d'une montre.
2. Si la cuisinière doit être arrêtée pour une période de temps prolongée, fermer le robinet de gaz de la conduite.

Arrêt

Gril Type Charbon De Bois (Modèles M,MS)

Allumage

1. Soulever ou retirer les grilles de cuisson. Chaque groupe de deux (2) brûleurs a une veilleuse située de façon centrale, entre eux.
2. Appuyer sur le bouton de l'allumeur piézoélectrique pour allumer les veilleuses. La veilleuse doit être réglée de façon à allumer rapidement le brûleur.
3. Ouvrir le robinet en tournant le bouton dans le sens inverse des aiguilles d'une montre. La flamme, d'un bleu vif, devrait avoir une hauteur approximative d'1/4 po.

Arrêt

1. Placer tous les robinets en position "OFF" en tournant le bouton d'1/4 de tour dans le sens des aiguilles d'une montre.
2. Si la cuisinière doit être arrêtée pour une période de temps prolongée, fermer le robinet de gaz de la conduite.

Gril Type Charbon De Bois (Modèles MST)

Allumage

1. Soulever ou retirer les grilles de cuisson. Chaque groupe de deux (2) brûleurs a une veilleuse située de façon centrale, entre eux.
2. Enfoncer le robinet et le tourner dans le sens inverse des aiguilles d'une montre jusqu'en position d'allumage.
3. Tout en maintenant enfoncé le robinet de gaz, appuyer sur le bouton rouge de l'allumeur piézoélectrique situé derrière le panneau de porte inférieur.
4. Une fois la veilleuse allumée, continuer de maintenir le robinet de gaz complètement enfoncé pendant 20 secondes, puis le relâcher. Si la veilleuse s'éteint, attendre 5 minutes et recommencer à partir de l'étape 1.
5. Quand la veilleuse est bien allumée, appuyer de nouveau sur le robinet et le tourner dans le sens contraire des aiguilles d'une montre en position complètement ouverte, puis régler le thermostat à la température souhaitée.

Arrêt

1. Tourner le cadran du four à la position "O" et le dispositif de sécurité se désengagera dans un délai de 60 secondes.
2. Si la cuisinière doit être arrêtée pour une période de temps prolongée, fermer le robinet de gaz de la conduite.

Fours À Convection «RC»

Pour une utilisation en 115 V, l'appareil est muni d'un cordon et d'une fiche. Cependant le branchement sur l'alimentation électrique doit être conforme aux codes locaux. En absence de tels codes, l'installation doit être conforme au National Electrical Code, ANSI/NFPA n° 70 (édition actuelle).

AVERTISSEMENT : Instructions de mise à la terre.

Cet appareil est équipé d'une fiche à trois broches (mise à la terre) pour votre protection contre les chocs électriques, et elle doit être insérée directement dans une prise murale à trois broches correctement mise à la terre. Ne pas couper ni retirer la broche de mise à la terre de cette fiche.

REMARQUE CONCERNANT LES COUPURES DE COURANT :

En cas de coupure de courant, on ne doit pas tenter de faire fonctionner ce four. Ce four fonctionne au gaz, mais possède des fonctions un moteur et des interrupteurs de porte électriques.

Un schéma de câblage est fixé à l'arrière de l'appareil.

Instructions D'allumage

1. Enfoncer le robinet principal/des veilleuses et le tourner dans le sens inverse des aiguilles d'une montre jusqu'en position d'allumage.

2. Tout en maintenant enfoncé le robinet de gaz du four, appuyer sur le bouton rouge de l'allumeur piézoélectrique situé derrière le panneau basculant inférieur.

3. Une fois la veilleuse allumée, continuer de maintenir le robinet du four complètement enfoncé pendant 20 secondes, puis le relâcher. Si la veilleuse s'éteint, attendre 5 minutes et recommencer à partir de l'étape 1.
4. Quand la veilleuse est bien allumée, appuyer de nouveau sur le robinet et le tourner dans le sens contraire des aiguilles d'une montre en position complètement ouverte, puis régler le thermostat à la température souhaitée.

Démarrage

1. Placer l'interrupteur d'alimentation en position de cuisson.
2. Ouvrir le robinet du four.
3. Tourner le thermostat au réglage souhaité.

Retroidissement

1. Mettre le thermostat et le robinet du four en position d'arrêt («OFF»)
2. Ouvrir la porte
3. Actionner l'interrupteur en position de refroidissement

Arrêt

1. Tourner le thermostat en position d'arrêt.
2. Remettre le commutateur d'alimentation en position d'arrêt.
3. Fermer le robinet du four.

Le moteur de votre cuisinière à convection est sans entretien, puisqu'il est construit avec des roulements à billes auto-lubrifiants étanches. Il est conçu pour servir pendant des années s'il est entretenu normalement. Voici quelques suggestions sur la façon d'entretenir le moteur.

- A. Lorsque le moteur fonctionne, il assure lui-même son refroidissement interne grâce à l'arrivée d'air dans la partie arrière du carter, à condition que cette arrivée d'air n'est pas encombrée.

- B. Étant donné le ventilateur de la soufflerie se trouve dans la cavité du four, il est à la même température que le four. Si le moteur est arrêté alors que le four est chaud, la chaleur du ventilateur de la soufflerie est conduite le long de l'axe du moteur dans son bobinage, ce qui peut raccourcir la durée de vie du moteur.

- C. Nous recommandons, à la fin des périodes de cuisson lorsque le four reste au ralenti pendant un moment ou avant son arrêt définitif, de laisser la porte du four ouverte et de placer l'interrupteur en position de refroidissement. De cette façon le ventilateur fonctionne pendant 20 minutes au minimum.

Remarque : le moteur du four à convection ne devrait jamais être mis en position d'arrêt («OFF») pendant la cuisson ou quand le four est CHAUD.

Gris Commandés Par Thermostat

(Modèles M)

Allumage

1. Soulever l'avant du grill et le bloquer.

2. Allumer les veilleuses placées à l'avant, du côté droit de chaque brûleur.

3. Les bulbes thermostatiques doivent être insérés à fond dans leurs supports individuels, qui sont situés à la face inférieure du grill.

4. Régler le thermostat au maximum, un à la fois. Le brûleur devrait avoir un flamme bleue et stable d'une hauteur de 5/16 po. NE PAS LAISSER LE GRIL CHAUFFER PENDANT PLUS D'UNE MINUTE! AVANT D'UTILISER LE GRIL, CELUI-CI DOIT ÊTRE APPRÊTÉ. VOIR LES "INSTRUCTIONS D'APPRÊTAGE" DANS LA SECTION ENTRETEN.

5. Abaisser soigneusement le grill en place, en faisant très attention à ne laisser aucune partie du tube capillaire dans le compartiment des brûleurs.

Arrêt

1. Placer tous les robinets en position de fermeture en tournant le bouton d'1/4 de tour dans le sens des aiguilles d'une montre.

2. Si la cuisinière doit être arrêtée pour une période de temps prolongée, fermer le robinet de gaz de la conduite.

Gris Commandés Par Robinet (Modèles M)

Allumage

1. Soulever l'avant du grill et le bloquer.

2. Allumer les veilleuses placées à l'avant, du côté droit de chaque brûleur.

3. Ouvrir complètement les robinets des brûleurs. Les brûleurs devraient avoir un flamme bleue et stable d'une hauteur de 1/2 à 5/8 po.

NE PAS LAISSER LE GRIL CHAUFFER PENDANT PLUS D'UNE MINUTE! AVANT D'UTILISER LE GRIL, CELUI-CI DOIT ÊTRE APPRÊTÉ. VOIR LES "INSTRUCTIONS D'APPRÊTAGE" DANS LA SECTION ENTRETEN.

4. Abaisser le grill en place.

Arrêt

1. Placer tous les robinets en position de fermeture en tournant le bouton d'1/4 de tour dans le sens des aiguilles d'une montre.

2. Si la cuisinière doit être arrêtée pour une période de temps prolongée, fermer le robinet de gaz de la conduite.

Gris Commandés Par Robinet (Modèles MS/MST)

1. Enfoncer le robinet et le tourner dans le sens inverse des aiguilles d'une montre jusqu'en position d'allumage.

2. En maintenant le robinet enfoncé, allumer la veilleuse avec une allumette ou une mèche.

3. Une fois la veilleuse allumée, continuer de maintenir le robinet complètement enfoncé pendant 20 secondes, puis le relâcher. Si la veilleuse s'éteint, attendre 5 minutes et recommencer à partir de l'étape 1.

4. Quand la veilleuse est bien allumée, appuyer de nouveau sur le robinet et le tourner dans le sens contraire des aiguilles d'une montre jusqu'au réglage souhaité.

5. Pour éteindre le brûleur, tourner le cadran à la position «O» et le dispositif de sécurité se désengagera dans un délai de 60 secondes.

Four (standard)

Allumage

1. Enfoncer le robinet principal/des veilleuses et le tourner dans le sens inverse des aiguilles d'une montre jusqu'en position d'allumage.

2. Tout en maintenant enfoncé le robinet de gaz du four, appuyer sur le bouton rouge de l'allumeur piézoélectrique situé derrière le panneau basculant inférieur.

3. Une fois la veilleuse allumée, continuer de maintenir le robinet du four complètement enfoncé pendant 20 secondes, puis le relâcher. Si la veilleuse s'éteint, attendre 5 minutes et recommencer à partir de l'étape 1.

4. Quand la veilleuse est bien allumée, appuyer de nouveau sur le robinet et le tourner dans le sens contraire des aiguilles d'une montre en position complètement ouverte, puis régler le thermostat à la température souhaitée.

Brûleurs De Plaque Ouverte (Modèles M/MS)

Allumage

1. Retirer les grilles supérieures et les grilles annulaires.

2. Vérifier les tubes à décharge pour voir s'ils sont bien en place sur les orifices de charge des brûleurs.

3. Allumer les veilleuses.

4. Remettre en place les grilles supérieures et les grilles annulaires.

5. Ouvrir complètement le robinet en tournant le bouton d'1/4 de tour dans le sens inverse des aiguilles d'une montre. La flamme du brûleur devrait faire 1/2 po de hauteur, être stable et bleue et devrait empléter sur le fond d'une marmitte placée sur la grille annulaire.

Arrêt

1. Placer tous les robinets en position de fermeture en tournant le bouton d'1/4 de tour dans le sens des aiguilles d'une montre.

2. Si la cuisinière doit être arrêtée pour une période de temps prolongée, fermer le robinet de gaz de la conduite.

Brûleurs De Plaque Ouverte (Modèles MST)

Allumage

1. Enfoncer le robinet et le tourner dans le sens inverse des aiguilles d'une montre jusqu'en position d'allumage.

2. En maintenant le robinet enfoncé, allumer la veilleuse avec une allumette ou une mèche.

3. Une fois la veilleuse allumée, continuer de maintenir le robinet complètement enfoncé pendant 20 secondes, puis le relâcher. Si la veilleuse s'éteint, attendre 5 minutes et recommencer à partir de l'étape 1.

4. Quand la veilleuse est bien allumée, appuyer de nouveau sur le robinet et le tourner dans le sens contraire des aiguilles d'une montre jusqu'au réglage souhaité.

5. Pour éteindre le brûleur, tourner le cadran à la position "O" et le dispositif de sécurité se désengagera dans un délai de 60 secondes.

Sections De Plaque De Cuisson Et Spectro (Modèles M)

Allumage

1. Soulever ou retirer les sections de plaque de cuisson. Chaque brûleur est doté d'une veilleuse située à l'avant droit du brûleur.

2. Allumer les veilleuses. La veilleuse doit être réglée de façon à allumer rapidement le brûleur.

3. Ouvrir le robinet en tournant le bouton d'1/4 de tour dans le sens inverse des aiguilles d'une montre. La flamme, d'un bien vif, devrait avoir une hauteur approximative d'1/4 po (6 mm).

4. Remettre en place les plaques de cuisson.

Arrêt

1. Placer tous les robinets en position de fermeture en tournant le bouton d'1/4 de tour dans le sens des aiguilles d'une montre.

2. Si la cuisinière doit être arrêtée pour une période de temps prolongée, fermer le robinet de gaz de la conduite.

Sections De Plaque De Cuisson Et Spectro (Modèles MS/MST)

Allumage

1. Enfoncer le robinet et le tourner dans le sens inverse des aiguilles d'une montre jusqu'en position d'allumage.

2. En maintenant le robinet enfoncé, allumer la veilleuse avec une allumette ou une mèche.

3. Une fois la veilleuse allumée, continuer de maintenir le robinet complètement enfoncé pendant 20 secondes, puis le relâcher. Si la veilleuse s'éteint, attendre 5 minutes et recommencer à partir de l'étape 1.

4. Quand la veilleuse est bien allumée, appuyer de nouveau sur le robinet et le tourner dans le sens contraire des aiguilles d'une montre jusqu'au réglage souhaité.

5. Pour éteindre le brûleur, tourner le cadran à la position "O" et le dispositif de sécurité se désengagera dans un délai de 60 secondes.

AVERTISSEMENT : Les codes locaux peuvent exiger que le régulateur de pression soit relié à l'extérieur. Ceci n'est pas fourni par Garland.

Essais Et Réglages

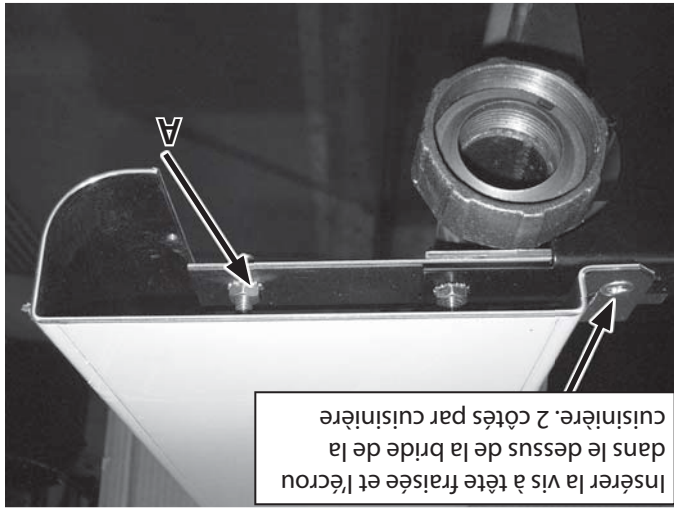
Tous les raccords et connexions de tuyaux doivent être testés pour détecter les fuites éventuelles. Utiliser des détecteurs de fuites approuvés, de l'eau savonneuse ou des produits équivalents, appliqués sur et autour des raccords et connexions de tuyaux. NE PAS UTILISER DE FLAMME ! Pour accéder à toutes les canalisations de gaz et aux raccords il est nécessaire de retirer le(s) panneau(x) des robinets, le(s) panneau(x) inférieurs) avant et les grilles du four. Il peut être nécessaire de retirer ou au moins de soulever et de supporter correctement les grilles, les plaques de cuisson et grilles supérieures. Toutes les pièces retirées (y compris les moyens de fixation) doivent être soigneusement rangées pour les réutiliser ensuite.

Essais

1. Vérifier que tous les robinets et thermostats sont en position «OFF».
2. Ouvrir le robinet principal d'alimentation en gaz. Allumer toutes les veilles de la section haute.
3. Vérifier la présence de fuites aux robinets et raccords, comme décrit dans la procédure ci-dessus. Réparer les fuites si nécessaire et vérifier de nouveau.
4. Allumer la veilleuse du four.
5. Si la cuisinière est équipée d'un robinet d'arrêt du four séparé du thermostat, ouvrir ce robinet et placer le thermostat sur 500 degrés F (260 °C). S'il y a une position «OFF» sur le cadran du thermostat du four de la cuisinière, le thermostat est équipé d'un robinet intégré d'arrêt du four. Régler ce thermostat sur 500 degrés (260 °C). Dans les deux cas, le gaz va maintenant alimenter le brûleur du four.
6. Vérifier la présence de fuites sur tous les robinets et tous les raccords, etc. comme indiqué plus haut. Prendre les mesures correctives nécessaires et refaire l'essai.
7. Fermer tous les robinets de la cuisinière et placer les cadrans des thermostats sur «OFF» ou en position basse. Tous les appareils sont testés et réglés en usine. Cependant, les brûleurs et les veilles doivent être vérifiés au moment de l'installation et réglés si nécessaire.

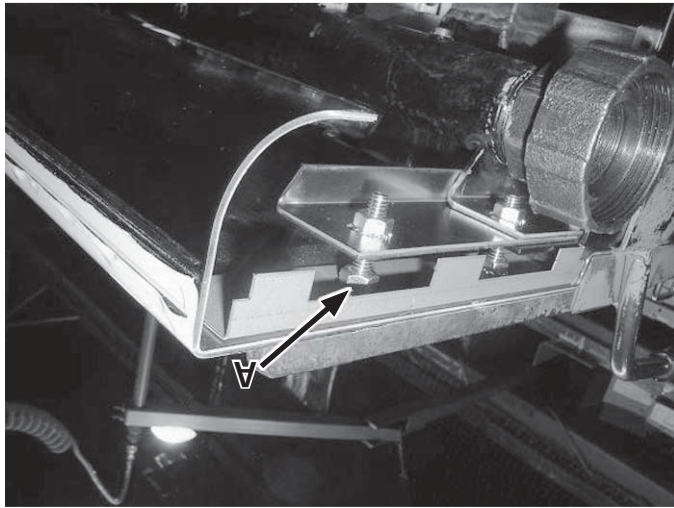
5. Aligner et insérer le goujon dans le support central de rail. Monter l'écrou et la rondelle sur le goujon après alignement.

Insérer la vis à tête fraisée et l'écrou dans le dessus de la bride de la cuisinière. 2 côtés par cuisinière



6. Montage final :

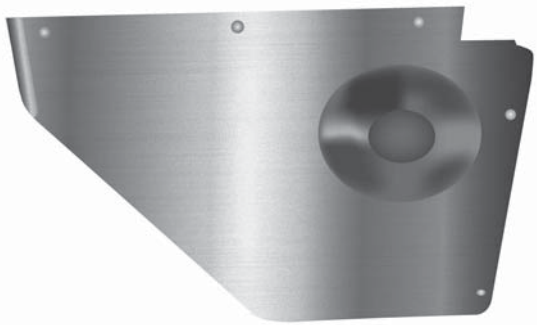
Une fois que le rail a été monté, insérer la vis à tête plate et l'écrou pour fixer le rail au-dessus de la cuisinière. A. Ajuster le niveau et la position du rail avec les écrous situés entre le rail et le support et bloquer le réglage avec les écrous sous le support. Une fois le réglage terminé, serrer la vis à tête fraisée et l'écrou.



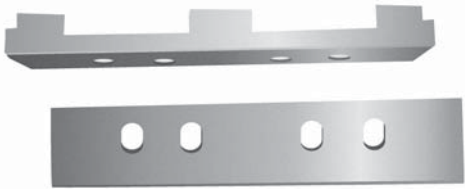
7. Option de montage final : Si une garniture d'extrémité est nécessaire, le support de garniture d'extrémité doit être installé pendant le montage du rail, à l'étape 4. Monter le support sur les goujons et serrer contre le dessous du rail (A).

Pièces De Garniture D'extrémité

Garniture d'extrémité G/D



Support De Garniture D'extrémité



Régulateurs De Pression

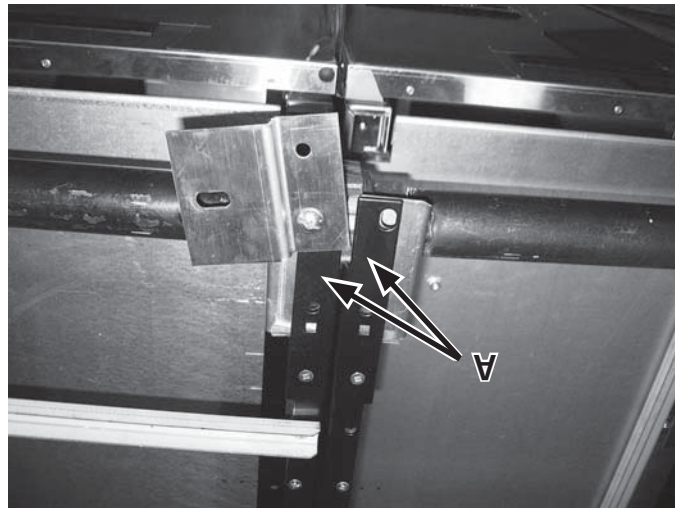
1. Ils doivent avoir une capacité de régulation maximale pour la charge connectée totale.

2. Les régulateurs de pression installés doivent être homologués par un organisme reconnu au niveau national.

3. Le(s) régulateur(s) de pression doit (doivent) offrir une plage de réglages de pression permettant de régler la pression du collecteur conformément à ce qui est indiqué sur la plaque signalétique de l'appareil.

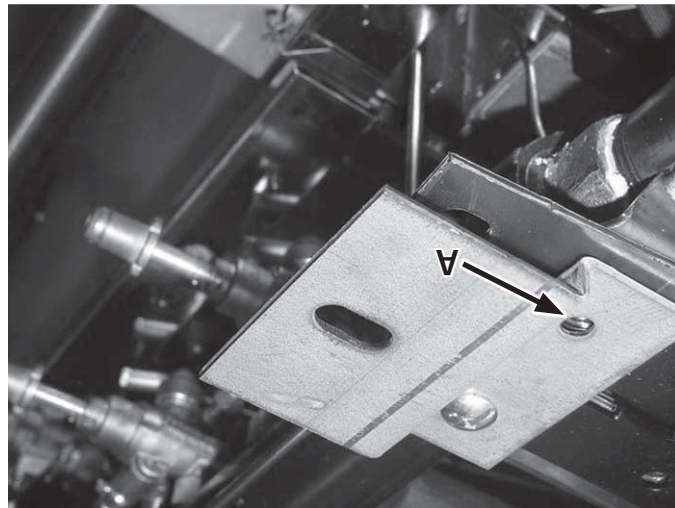
4. À moins que la pression du collecteur de tous les appareils connectés soit la même, un régulateur de pression doit être installé sur chaque appareil ayant des pressions du collecteur différentes.

5. Les conduites d'alimentation en gaz peuvent être connectées à droite, à gauche ou aux deux extrémités d'une batterie, ou aux connexions TEE sur les plaques d'appui. Si cinq (5) appareils ou plus sont placés en batterie, on devra utiliser plus d'une (1) conduite d'alimentation. Un robinet d'arrêt manuel de type homologué doit être installé sur chaque conduite d'alimentation à un endroit facile d'accès.

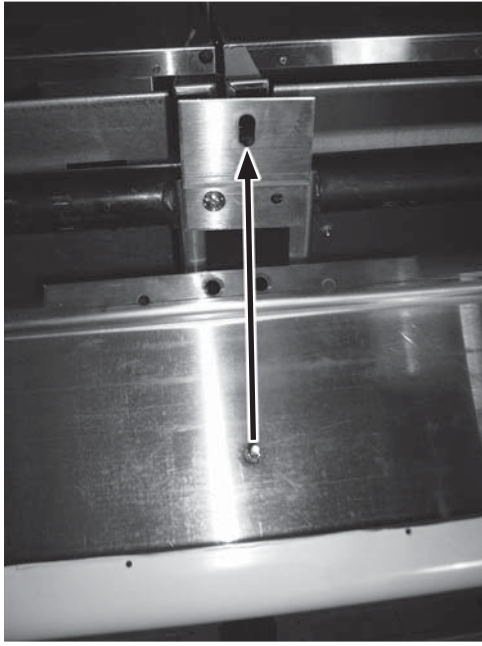


2. Installer des entretoises entre le support de collecteur et la bride supérieure avant de fixer le support central de rail entre les cuisinières. Vérifier que les trous sont alignés.

A. L'entretoise s'adapte entre la bride et le support de collecteur.

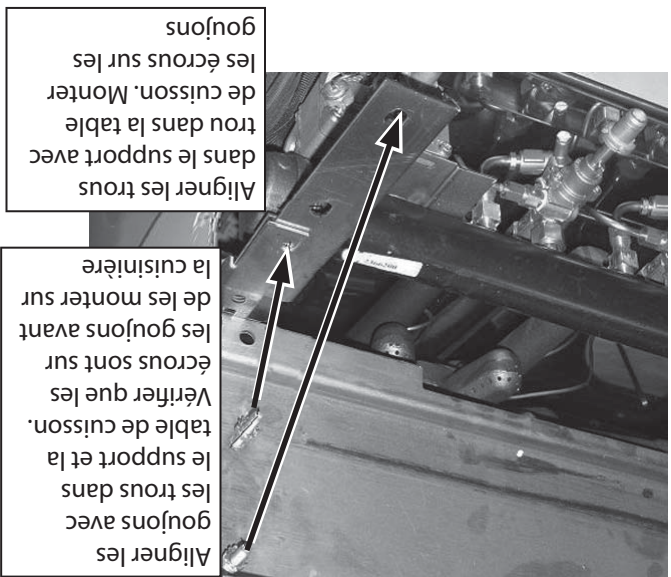


3. Aligner le support de rail avec les trous (A) en haut de deux cuisinières adjacentes et insérer 2 vis et écrous pour la fixation.



4. Le support d'extrémité de rail devrait être aligné conformément à l'étape 1. Aligner les goujons à chaque extrémité du rail avec les trous dans les supports après le rail.

Remarque : Le support de garniture d'extrémité doit être installé à ce moment-là entre le rail et le support d'extrémité si nécessaire. Voir l'option de montage final à l'étape 7.

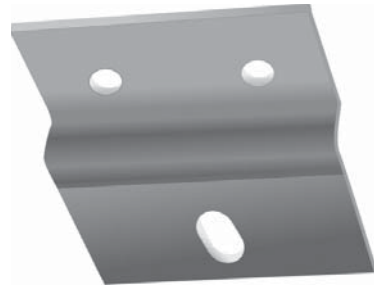


Aligner les goujons avec les trous dans le support et la table de cuisson. Vérifier que les écrous sont sur les goujons avant de les monter sur la cuisinière

Aligner les trous dans le support avec trou dans la table de cuisson. Monter les écrous sur les goujons

**Installation Du Rail Commun En Option
Accessoires De Rail**

Support De Rail



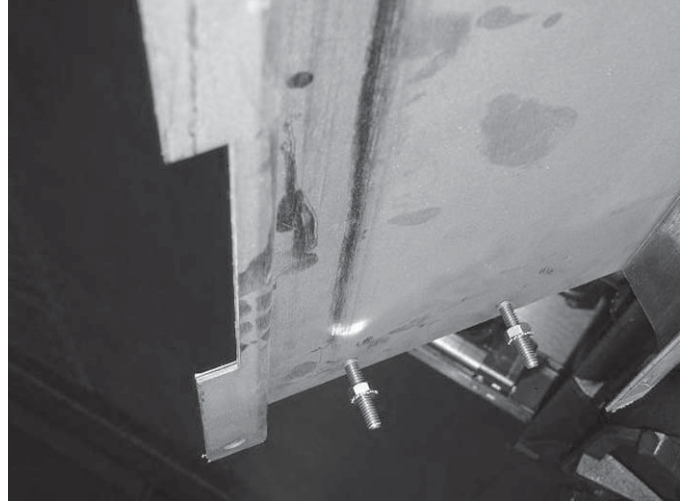
Support d'extrémité de rail

Supports (droit et gauche) montés à chaque extrémité du rail.

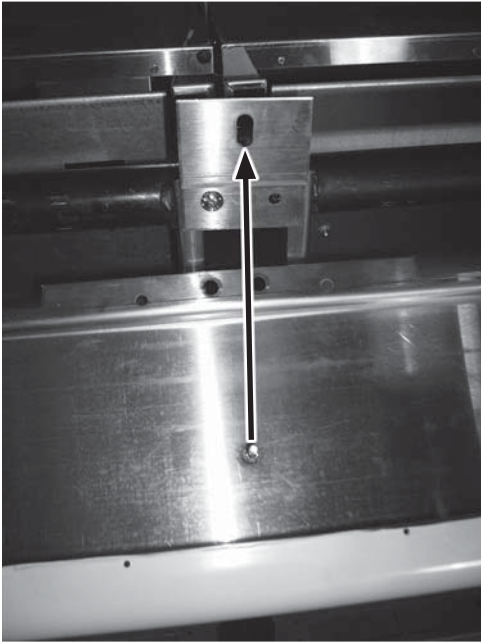


Entretoises x 2

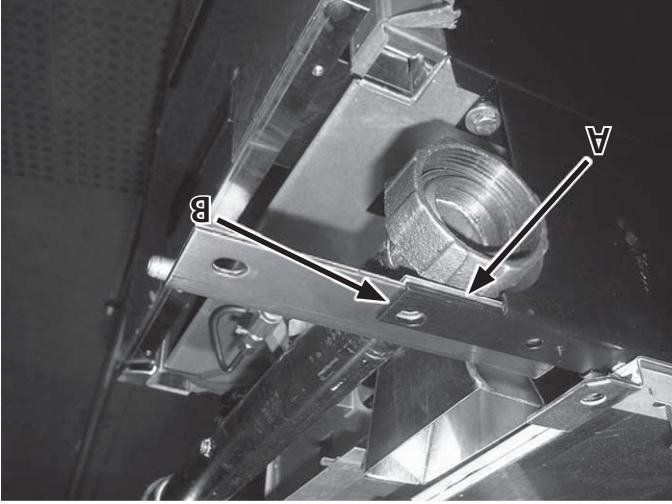
Rail avec goujons pour support d'extrémité de rail.



Rail avec goujon pour alignement avec le support de rail central.



Installation



1. Installer le support d'extrémité de rail.
A. Installer le support d'extrémité de rail entre le support de collecteur et la bride supérieure.
B. Aligner les trous arrière sur le support avec les trous en haut du côté du boîtier des brûleurs.

A. Tous ces appareils doivent être placés dans leur position respective dans la batterie. Démontez les panneaux des robinets pour éviter de les endommager et les poser à l'écart de l'endroit où la batterie est installée.

B. Mettre chaque appareil de niveau (au rail avant) en ajustant les pieds de six pouces (6 po) ou, si les pieds ne sont pas utilisés, régler le niveau à l'aide de cales. Réajuster les pieds si nécessaire.

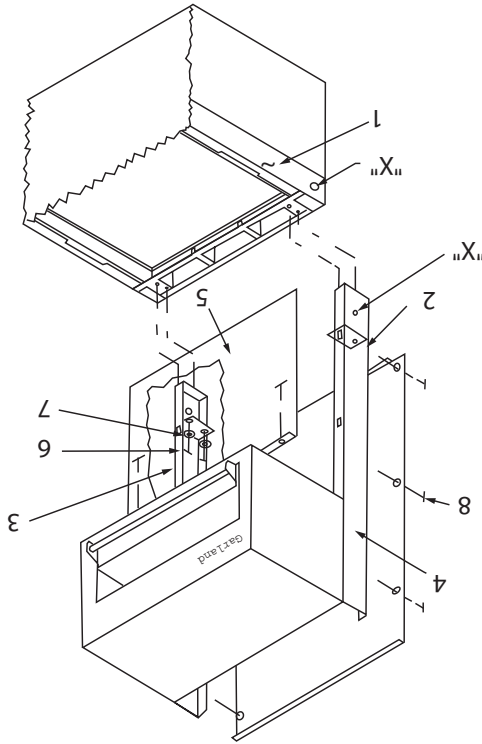
C. Connecter les appareils ensemble en réunissant les raccords union à chaque extrémité du collecteur. (Les appareils adjacents doivent avoir des raccords union correspondants; si les raccords n'ont pas les mêmes spécifications, on ne pourra pas obtenir une connexion étanche. À cette étape, serrer les raccords union à la main.

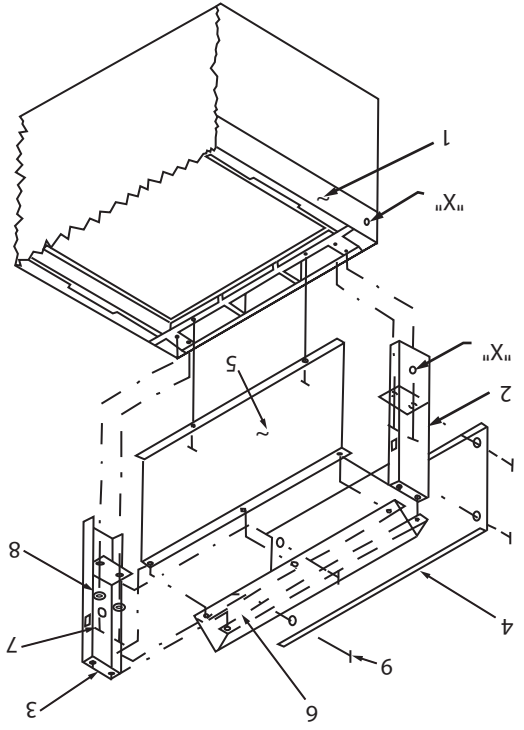
D. Les appareils doivent être fixés à l'arrière en insérant des boulons de 5/16 po dans les trous prévus à l'arrière des côtés du boîtier des brûleurs. Installer la rondelle et l'écrou et serrer à la main. Vérifier le bon alignement des appareils dans la batterie avant le serrage final des boulons et des raccords union. Un mauvais serrage provoquera un «gondolage» ou une «mise en éventail» des appareils en batterie.

E. Le serrage final du raccord union doit être fait en utilisant une clé à griffe convenable. Si on ne dispose pas d'une telle clé, le collier union GARLAND est doté de crans spéciaux et un ciseau à froid peut être utilisé contre ces crans pour serrer et rendre étanches les raccords. Le collecteur de cet appareil ou le collecteur dont il fait partie doit être équipé d'un régulateur de pression homologué convenant pour des applications en batterie et réglable à une pression de sortie du collecteur conforme à celle indiquée sur la plaque signalétique.

Tous les équipements destinés à un usage industriel sont alignés et accouplés en usine de gauche à droite et doivent être installés dans cet ordre. Chaque batterie d'équipement à usage industriel est fournie avec un schéma d'installation. Tous les modèles décrits, à l'exception du modèle M1 10XM peuvent être installés en batterie avec les cuisinières GARLAND séries M/MS/MST40, partageant des raccords de collecteurs communs.

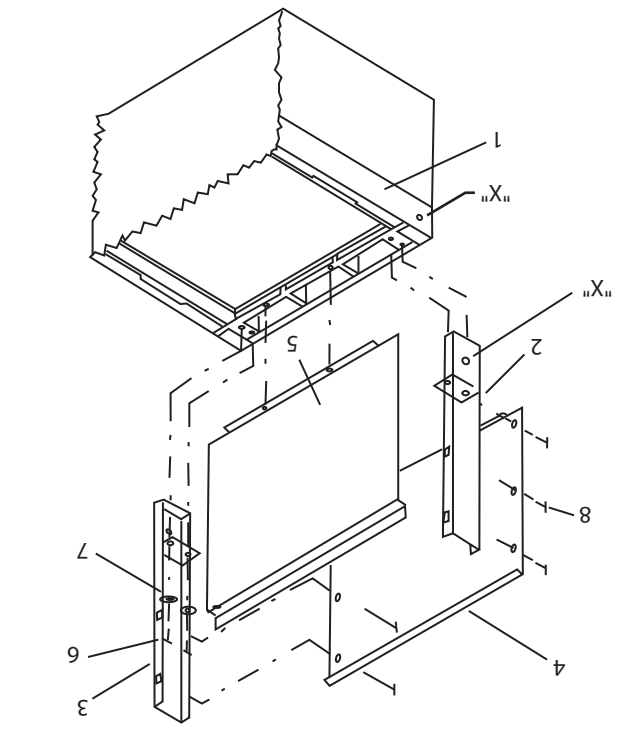
Assemblage En Batterie





Instructions D'Installation Pour Les Dossierets A Profil Haut Et Étagères

1. Retirer le panneau avant (5) en le soulevant vers le haut.
2. Le panneau arrière (4) étant toujours fixé aux montants (2 et 3), faire descendre les montants dans les ouvertures rectangulaires à l'arrière de la cuisinière (1).
3. Fixer les montants (2 et 3) à la cuisinière avec quatre (4) vis de 5/16 po x 18 et rondelles plates (6 et 7).
4. Si la cuisinière est installée en batterie, fixer ensemble les appareils au trou marqué d'un 'X' avec des boulons 1/4 po-20, des écrous et des rondelles.
5. Refixer le panneau avant (5) au dossieret avec les vis Parker retirées précédemment.



Instructions D'Installation De La Salamandre Ou De La Salamandre À Fromage

1. Enlever le panneau avant (5) en retirant les deux (2) vis à métaux de la partie inférieure de la salamandre ou de la salamandre à fromage.
2. Avec le panneau arrière (4) toujours fixé aux montants (2 et 3) faire passer les montants dans les ouvertures rectangulaires à l'arrière de la cuisinière (1).
3. Fixer les montants (2 et 3) sur la cuisinière avec les quatre (4) boulons 5/16 po x 18 et les rondelles plates (repères 6 et 7).
4. Si la cuisinière doit être placée en batterie avec d'autres appareils, les fixer ensemble au trou marqué d'un «X» avec des boulons 1/4 - 20, des rondelles et des écrous.
5. Remonter le panneau avant (5) à la salamandre ou à la salamandre à fromage avec les vis à métaux retirées précédemment.

- B. Les roulettes avant de l'appareil sont dotées de freins pour limiter les déplacements du four sans tirer sur le connecteur ou sur un dispositif de débranchement rapide ou ses canalisations connexes afin de limiter les déplacements de l'appareil.
- C. Il faut savoir que le dispositif de maintien requis est fixé à un support (qui est situé sur la roulette arrière gauche) et s'il est nécessaire de détacher le dispositif de maintien, ne pas oublier de le refixer une fois que l'appareil a été remis dans sa position d'installation d'origine.

Pieds

Soulever l'avant de l'appareil et le bloquer. Ne pas coucher l'appareil sur le dos. Positionner l'insert de pied dans l'ouverture du dispositif de retenue du pied et taper jusqu'à ce qu'il soit en place dans la bride à collier. Répéter à l'arrière de l'appareil en s'assurant que les quatre pieds sont réglés à la même hauteur. Il est possible de régler les pieds pour compenser l'inégalité du sol.

Ventilation Et Alimentation En Air

Une bonne ventilation est extrêmement importante pour le bon fonctionnement. La méthode de ventilation idéale d'une cuisinière est celle qui fait appel à une hotte bien conçue dont les dimensions dépassent de six pouces (6 po) tous les côtés de l'appareil et située à six pieds (6 pi) six pouces (6 po) du sol.

Un ventilateur d'extraction puissant peut créer un vide d'air dans la pièce. Pour que le système de ventilation fonctionne correctement, la pièce doit comporter un dispositif d'arrivée d'air de remplacement.

Tous les brûleurs à gaz et les veilleuses ont besoin de suffisamment d'air pour fonctionner et on ne devra pas placer d'objets encombrants devant l'appareil, afin de ne pas empêcher la circulation d'air à l'avant.

Installation Du Conduit De Fumée Du Four

Le conduit de fumée du four est emballé à l'intérieur du four pour l'expédition. Avant d'installer le dossier, l'étagère haute ou la salamandre montée sur cuisinière, il est nécessaire d'installer le conduit de fumée du four.

Retirer les deux vis Parker n° 10 de l'arrière, au centre de

Instructions D'installation Du Dossier À Profil Bas

La table de cuisson principale. Placer le conduit de fumée du four sur la sortie carrée centrale, avec la surface plate à l'arrière de la cuisinière. Remettre en place les deux vis Parker n° 10, fixant le conduit de fumée de four au centre de la table de cuisson principale.

1. Retirer le couvercle de conduit de fumée (6) en démontant les six vis à métal n° 10.

2. Retirer le panneau avant (5) en le soulevant vers le haut.

3. Le panneau arrière (4) étant toujours fixé aux montants gauche (2) et droit (3), faire descendre les montants dans les découpes rectangulaires à l'arrière de la cuisinière (1).

4. Fixer les montants (2 et 3) à la cuisinière avec quatre (4) rondelles plates de 5/16 po x 18 (7 et 8).

5. Si la cuisinière est installée en batterie, fixer ensemble les appareils au trou marqué d'un 'X' avec des boulons ¼ po-20, des écrous et des rondelles.

6. Refixer le panneau avant (5) au dossier avec les vis Parker retirées précédemment.

7. Remettre en place le couvercle de conduit de fumée (6) en haut du dossier.

Plaque Signalétique

Pour contacter l'usine ou votre revendeur d'équipement en ce qui concerne des problèmes de réparation ou des pièces de rechange, référez-vous à cet appareil particulier en indiquant le numéro de modèle correct (comprenant les lettres de préfixe et de suffixe et les numéros) ainsi que le numéro de série ou de code. La plaque signalétique fixée sur l'appareil contient ces informations.

Nous suggérons de faire faire l'installation, l'entretien et les réparations par une agence de service agréée locale figurant dans le manuel d'information.

En cas de questions concernant l'installation, l'utilisation, l'entretien ou la réparation du produit, écrivez ou communiquez avec le département de service des produits.

Ce produit doit être installé par du personnel professionnel tel que spécifié. Les produits Garland/U.S. Range ne sont pas agréés ni autorisés pour une utilisation personnelle ou résidentielle, mais sont destinés à des applications commerciales seulement. Garland/U.S. Range n'offre pas de services de réparation, garantie, entretien ou soutien de n'importe quelle sorte pour des applications autres que commerciales.

Notices d'installation

Les pieds doivent être installés sur le four lorsque ce dernier est installé sur un sol combustible.

Lorsque installé sans pieds sur un berceau ou une plateforme non-combustible, l'avant de l'unité doit s'étendre d'au moins 3 pouces ou 76 mm de façon à ce que l'interstice de ventilation ne soit pas bloqué.

Installation Du Gaz

Avant de procéder au montage et à la connexion, vérifier l'alimentation en gaz.

A. Le type de gaz pour lequel l'appareil est équipé est estampillé sur la plaque signalétique se trouvant derrière le panneau avant inférieur. Les appareils estampillés «NAT» doit uniquement être connectés au gaz naturel, ceux estampillés «PRO» doivent l'être uniquement au propane.

B. S'il s'agit d'une nouvelle installation, demander à la compagnie de gaz locale de vérifier la taille du compteur et de la canalisation pour s'assurer que l'appareil peut être alimenté avec la pression de gaz nécessaire à son fonctionnement.

C. S'il s'agit d'un équipement de remplacement de gaz, vérifiez la pression afin de s'assurer que le compteur et la canalisation existants alimenteront l'appareil avec une chute éventuelle de pression ne dépassant pas ½ po de colonne d'eau.

REMARQUE : Lors de la vérification de la pression du gaz, s'assurer que tous les appareils installés sur la même canalisation sont allumés. Il n'y a pas de régulateur de pression fourni de série avec les équipements US RANGE à haut rendement. Cependant, il est possible d'acheter un régulateur de 1-1/4 po en option au moment de l'achat de l'appareil. Pour acheter un régulateur après l'achat de l'appareil, contacter le revendeur local. L'installation doit être conforme au National Fuel Code ANSI Z 223.1-1988 ou à la dernière édition, NFPA No 54 – dernière édition et National Electrical Code ANSI/NFPA 70-1990 ou la dernière édition et/ou au code local pour assurer une fonctionnellement sécuritaire et efficace.

Au Canada, l'installation doit être conforme au CODE D'INSTALLATION DU GAZ NATUREL CAN/CGA-149.1 ou au CODE D'INSTALLATION DU PROPANE CAN/CGA B149.2 et aux codes locaux le cas échéant.

Au Canada, la connexion électrique doit être conforme aux sections applicables du Code canadien de l'électricité, C22.1-1990 (ou la dernière édition) «Normes de sécurité pour l'installation, partie 1» et la norme C22.2-No.O-M 1982 (ou la dernière édition), «Exigences générales, partie 2».

REMARQUE : L'appareil doit être isolé de la canalisation d'alimentation en gaz en fermant son robinet d'arrêt individuel (non fourni avec l'appareil), pendant tout essai du système de canalisations d'alimentation en gaz à des pressions d'essai égales ou supérieures à 1/2 PSIG (3,45 kPa).
REMARQUE : Prévoir un dégagement suffisant pour les réparations et un fonctionnement correct.

REMARQUE : Cet appareil n'est pas recommandé pour une installation résidentielle.

Installation Des Fours Equipés De Roulettes

A. L'installation sera faite avec un connecteur conforme à la norme Standard for Connections for Movable Gaz Appliances ANSI Z21.69/CSA 6.16, addenda Z21.69B-2006/CSA 6.16B-2006 (ou la dernière édition) et un dispositif de débranchement rapide conforme à la norme Standard for Quick Disconnects for Use with Gas Fuel, ANSI Z21.41/CSA 6.9, Addenda Z21.41 A-2005/CSA 6.16A-2005 (ou la dernière édition).

SPÉCIFICATIONS

NUMÉRO DE MODÈLE	DÉBIT CALORIFIQUE (BTU/H)	
	GAZ TYPE NATUREL	GAZ TYPE-PROPANE
(M,MS)(12,43) Brûleur Ouvert	24,000	20,000
MST43 Brûleur Ouvert	24,000	20,000
M(M43-1,2,3),125-6 Plaque De Cuisson	22,000	22,000
M43 FTR Brûleur Ouvert Avant	18,000	16,000
Plaque Arrière Française	15,000	16,000
(M, MS)(4,42,44,54) Brûleur Ouvert	35,000	35,000
MST(42,44,54) Brûleur Ouvert	35,000	35,000
(M,MS)(45,54,5) Brûleur Spectro	15,000	11,000
MST45 Sptro Brûleur Spectro	Total de 3 brûleurs 40,000	Total de 3 brûleurs 40,000
M(42-6,46,6) Brûleur De Plaque Chauffante À Chaleur Uniforme	30,000	30,000
MST(42-6,46,6)Brûleur De Plaque Chauffante À Chaleur Uniforme	27,000	27,000
(M,MS)47 Brûleur De Grill	33,000	33,000
MST 47 Brûleur De Grill	30,000	30,000
M48 Brûleur De Grill	33,000	33,000
(M,MS,MST) Brûleur De Four	40,000	35,000
(M,MS,MST)(17,24,34) Grill De Type Charbon De Bois	15,000	15,000
(M1R) Section simple de four de plate-forme	40,000	40,000
(M2R) Fours doubles superposés	80,000	80,000

Pression De Fonctionnement Gaz Naturel = 6,0 po de colonne d'eau mesurée au robinet du collecteur.

Pression De Fonctionnement Gaz Propane = 10,0 po de colonne d'eau mesurée au robinet du collecteur.

Dégagement Par Rapport À Des Matériaux

Combustibles

Les modèles (M,MST)5(S,T) et (M,MST)45(R,RC,S,T) doivent

être installés avec un dégagement d'au moins six pouces

(6") par rapport aux matériaux combustibles sur les côtés

et à l'arrière.

Les modèles (M,MS,MST) 42 (R,RC,S,T),

(M,MS,MST) 44 (R,RC,S,T), (M,MS,MST) 54 (R,RC,S,T),

(M,MS,MST) 4 (S,T), (M,MST) 46 (R,RC,S,T),

(M,MST) 47 (R,RC,S,T), M47-23 (R,RC,S,T), M47-45 (R,RC,S,T),

M48 (R,RC,S,T), M48-23 (R,RC,S,T), M48-45 (R,RC,S,T),

(M,MST) (6,7,8) (S,T) doivent être installés avec un

dégagement d'au moins quatorze pouces (14") sur les

côtés et six pouces (6") à l'arrière par rapport aux matériaux combustibles.

Dégagement Par Rapport À Des Matériaux Incombustibles

Les modèles (M,MS,MST) (17,24,34) B (E) sont conçus pour une INSTALLATION SEULEMENT avec un dégagement nul

(0") sur les côtés et à l'arrière. Les modèles avec le suffixe «RC» doivent être installés avec un dégagement de zéro

pouce (0") sur les côtés et d'au moins un pouce (1") à l'arrière

par rapport aux matériaux incombustibles. Tous les autres modèles peuvent être installés avec un dégagement de

zéro pouce (0") sur les côtés et à l'arrière par rapport aux matériaux incombustibles.

côtés et six pouces (6") à l'arrière par rapport aux matériaux combustibles.

Les modèles (M,MS,MST) 43 (R,RC,S,T) doivent être installés avec un dégagement d'au moins onze pouces (11") sur les

2 INFORMATIONS IMPORTANTES

4 SPÉCIFICATIONS

4 Dégagement Par Rapport À Des Matériaux
 4 Combustibles.....
 4 Dégagement Par Rapport À Des Matériaux
 4 Incombustibles

5 INSTALLATION

5 Plaque Signalétique.....
 5 Notices d'installation.....
 5 Installation Du Gaz.....
 5 Installation Des Fours Equipés De Roulettes .. 5
 6 Pieds

13 FONCTIONNEMENT

13 Brûleurs De Plaque Ouverte (Modèles M/MS). 13
 13 Brûleurs De Plaque Ouverte (Modèles MST) .. 13
 13 Sections De Plaque De Cuisson Et Spectro (Modèles M)

23 DÉPANNAGE DU FOUR À CONVECTION

23 Grils Commandés Par Robinet (Modèles M) .. 14
 23 Grils Commandés Par Thermostat (Modèles M)

20 RÉGLAGES

20 Réglage Des Veilleuses

17 ENTRETIEN

17 Grils Peints

L'attention des utilisateurs est attirée sur le fait que l'entretien et les réparations doivent être effectués par un agent d'entretien autorisé par Garland utilisant des pièces de rechange d'origine Garland. Garland n'aura aucune obligation en ce qui concerne n'importe quel produit mal installé, réglé, utilisé ou qui n'aurait pas été entretenu conformément aux codes nationaux et locaux ou aux instructions d'installation fournies avec le produit ou n'importe quel produit dont le numéro de série aurait été mutilé, oblitéré ou supprimé ou qui aurait été modifié ou réparé avec des pièces non autorisées ou par des agents d'entretien non autorisés. Pour obtenir la liste des agents de service autorisés, consulter le site web de Garland à : <http://www.garland-group.com>. Les renseignements contenus dans le présent document (y compris la conception et les spécifications des pièces) peuvent être remplacés ou modifiés sans préavis. to change without notice.

LIRE TOUTES LES SECTIONS DU PRÉSENT MANUEL ET LE CONSERVER POUR S'Y REPORTER ULTÉRIEUREMENT. CE PRODUIT A ÉTÉ HOMOLOGUÉ EN TANT QU'ÉQUIPEMENT PROFESSIONNEL DE CUISSON ET DOIT ÊTRE INSTALLÉ PAR DU PERSONNEL PROFESSIONNEL ONNEL TEL QUE SPÉCIFIÉ. DANS L'ÉTAT DU MASSACHUSETTS, CE PRODUIT DOIT ÊTRE INSTALLÉ PAR UN PLOMBIER OU UN MONTEUR D'INSTALLATION AU GAZ. Pour Votre Sécurité : Placer dans un endroit bien en vue les instructions à suivre en cas d'odeur de gaz détectée par l'utilisateur. Cette information peut être obtenue auprès du fournisseur de gaz local.

<p>AVERTISSEMENT : UNE INSTALLATION, DES RÉGLAGES, DES MODIFICATIONS, DES RÉPARATIONS OU UN ENTRETIEN MAL FAITS PEUVENT CAUSER DES DOMMAGES MATÉRIELS, DES BLESSURES OU LA MORT. LIRE SOIGNEUSEMENT LES INSTRUCTIONS D'INSTALLATION, D'UTILISATION ET D'ENTRETIEN AVANT D'INSTALLER OU DE RÉPARER L'ÉQUIPEMENT.</p>
<p>POUR VOTRE SÉCURITÉ : NE PAS STOCKER NI UTILISER D'ESSENCE OU D'AUTRES VAPEURS OU LIQUIDES INFLAMMABLES À PROXIMITÉ DE CET APPAREIL OU DE TOUT AUTRE APPAREIL.</p>

Maintenir les abords de l'appareil dégagés et ne pas y stocker de produits combustibles.

AVERTISSEMENT :
 Ce produit contient des produits chimiques reconnus par l'état de Californie comme causant le cancer et/ou des malformations congénitales ou d'autres problèmes de reproduction. L'installation et l'entretien de ce produit peut vous exposer aux poussières de laine de verre/fibres céramiques. L'inhalation de ces particules de laine de verre ou de fibres céramiques est reconnue par l'état de Californie comme causant le cancer. L'utilisation de ce produit peut vous exposer au monoxyde de carbone en cas de mauvais réglage. L'inhalation de monoxyde de carbone est reconnue par l'état de Californie comme pouvant causer des malformations congénitales ou d'autres problèmes reproductifs.

Cuisinières Et Grils À Gaz Professionnels Série Master, Tous Modèles Séries M/MS/MST

Manuel D'installation et D'utilisation

