



Your Commercial Equipment Solution
Votre solution d'équipement commercial

Product Manual / Manuel de produit



Sandwich/Salad Prep Tables / Tables de préparation à sandwich/salade

Regular & Mega Top / Régulière et méga top

Models / Modèles : NPT-029-SA | NPT-048-SA | NPT-060-SA |
NPT-072-SA | NPT-029-MSA | NPT-048-MSA |
NPT-060-MSA | NPT-072-MSA

TABLE OF CONTENTS

TABLE DES MATIÈRES

MODELS / MODÈLES

NPT-029-SA | NPT-048-SA | NPT-060-SA | NPT-072-SA |
NPT-029-MSA | NPT-048-MSA | NPT-060-MSA | NPT-072-MSA

CONTENTS / MATIÈRES

English		Français	
Important Information	pg. 3	Informations importantes	pg. 20
Warnings	pg. 4	Avertissements	pg. 21
Technical Specifications	pg. 5	Spécifications techniques	pg. 22
Installation & Operation	pg. 8	Installation et utilisation	pg. 25
Control Board Instructions	pg. 10	Réglage du thermostat	pg. 27
Maintenance	pg. 11	Entretien	pg. 28
Troubleshooting	pg. 12	Dépannage	pg. 29
Parts Breakdown	pg. 13	Schémas des pièces	pg. 30
Electrical Diagram	pg. 18	Schémas électriques	pg. 34
Warranty	pg. 19	Garantie	pg. 35
Warranty Registration	pg. 20	Enregistrement de la garantie	pg. 36

IMPORTANT INFORMATION

DISCLAIMER

Please read this manual carefully before installing and operating the unit. Keep this manual handy for further reference.

The NPT series equipment is intended for use in spaces where the environmental conditions are controlled and maintained such that the ambient temperature typically does not exceed 86°F (30°C).

GENERAL INFORMATION

Start up: Before operating your unit, please be sure that all casters are properly installed. The unit must be level after it is positioned in its permanent location. This ensures proper door alignment on all cabinet, adequate condensate water drainage, and proper overall refrigeration system operation. Electrical power to the unit is generated immediately after plugging the power cord into an adequate outlet.

Transportation: Please strap (or secure) the unit and avoid significant vibration during transportation; do not incline the unit more than 45°. Do not move the unit frequently while in use.

Storage: Properly place food and pans into the cabinet in order to avoid damages to the drawer and sides. In order to avoid bad smell or taste, keep space between each product and do not store the foods too long.

WARNINGS

CAUTION FOR SAFETY

1. Leave a minimum of 4" of clearance between the wall and the unit; do not place the unit up against a wall to block the air flow.
2. Ensure you remove all of the packaging from the unit. Do not forget the bottom of the unit as the model radiates heat and could start a fire over time.
3. Do not store flammable and volatile chemicals inside the unit as this could lead to an explosion.
4. Use a dedicated single-phase grounded electrical outlet for this unit.
5. **CAUTION** - Do not connect grounding wire to a water or gas pipe.
6. Please strap (or secure) the unit and avoid significant vibration during transportation; do not incline the unit more than 45°. Do not move the unit frequently while in use.
7. Please refer to the Troubleshooting guide if the unit has an issue. Do not attempt to resolve the problem on your own. Please contact New Air Refrigeration's Service Department for assistance.
8. **DANGER** - Risk of fire or explosion. Flammable refrigerant used. Do not use mechanical devices to defrost refrigerator. Do not puncture refrigerant tubing.
9. **DANGER** - Risk of fire or explosion. Flammable refrigerant used. To be repaired only by trained service personnel. Do not puncture refrigerant tubing.
10. **CAUTION** - Risk of fire or explosion. Flammable refrigerant used. Consult repair manual/owner's guide before attempting to service this product. All safety precautions must be followed.
11. **CAUTION** - Risk of fire or explosion. Dispose of properly in accordance with federal or local regulations. Flammable refrigerant used.
12. **CAUTION** - Risk of fire or explosion due to puncture of refrigerant tubing; follow handling instructions carefully. Flammable refrigerant used.
13. **CAUTION** - Keep clear of obstruction all ventilation openings in the appliance enclosure or in the structure for building-in.
14. **CAUTION** -servicing shall be done by factory authorized service personnel, so as to minimize the risk of possible ignition due to incorrect parts or improper service.
15. **CAUTION** -flammable refrigerant used! When handling, moving and use of the refrigerator, make sure to avoid either damaging the refrigerant tubing, or increasing the risk of a leak.

TECHNICAL SPECIFICATIONS



FEATURES



Temperature range (°C): 0.5-5



Digital temperature control



Natural refrigerant promotes faster cool down and efficient energy consumption



Stainless steel interior and exterior



8-30 clear plastic pans included



Adjustable heavy duty shelf



Insulated lid maintains food freshness



Back mounted compressor

TECHNICAL SPECIFICATIONS

SPECIFICATIONS

Model Number	NPT-029-SA	NPT-048-SA	NPT-060-SA	NPT-072-SA
Capacity (Cubic Feet)	6.5	11.5	14.3	17.6
Capacity (Litres)	186	325.6	405	499
Exterior Unit Dimensions (in) (W x D x H)	29" x 31.5" x 44"	48" x 31.5" x 44"	60" x 31.5" x 44"	72.5" x 31.5" x 44"
Exterior Unit Dimensions (cm) (W x D x H)	74 x 80 x 112	122 x 80 x 112	152.5 x 80 x 112	184 x 80 x 112
Shipping Dimensions with Box (in) (W x D x H)	30.5" x 33" x 50.75"	49.5" x 33" x 50.75"	61.5" x 33" x 50.75"	74" x 33" x 50.75"
Shipping Dimensions with Box (cm) (W x D x H)	77.5 x 84 x 129	125.75 x 84 x 129	156 x 84 x 129	188 x 84 x 129
Net Weight	202 lbs (91.5 kg)	231 lbs (105 kg)	275 lbs (125 kg)	341 lbs (154.5 kg)
Gross Weight	233 lbs (106 kg)	320 lbs (145 kg)	365 lbs (165 kg)	454 lbs (206 kg)
Type of Defrost	Automatic	Automatic	Automatic	Automatic
Cutting Board Included	1	1	1	1
Number of Pans	8	12	16	20
Plastic Pan Dimensions	1/6 Pan 6.93" x 6.38" x 5.91"	1/6 Pan 6.93" x 6.38" x 5.91"	1/6 Pan 6.93" x 6.38" x 5.91"	1/6 Pan 6.93" x 6.38" x 5.91"
Swivel Casters	Yes (2 with brakes)	Yes (2 with brakes)	Yes (2 with brakes)	Yes (3 with brakes)
Adjustable Shelves	1	2	2	3
Voltage	115V/60Hz	115V/60Hz	115V/60Hz	115V/60Hz
Input Power	225W	280W	280W	380
Amperes	2.0	2.4	2.4	3.4
Temperature	0.5-5°C	0.5-5°C	0.5-5°C	0.5-5°C
Refrigerant (CFC-Free)	R290	R290	R290	R290
Compressor	Embraco (1/7 HP)	Embraco (1/5 HP)	Embraco (1/5 HP)	Embraco (1/4 HP)
Plug Type	Nema 5-15P	Nema 5-15P	Nema 5-15P	Nema 5-15P

Warranty

**3 years parts and labour,
2 additional years on the compressor**

TECHNICAL SPECIFICATIONS

SPECIFICATIONS

Model Number	NPT-029-MSA	NPT-048-MSA	NPT-060-MSA	NPT-072-MSA
Capacity (Cubic Feet)	6.5	11.5	14.3	17.6
Capacity (Litres)	186	325.5	405	499
Exterior Unit Dimensions (in) (W x D x H)	29" x 31.5" x 46.5"	48" x 31.5" x 46.5"	60" x 31.5" x 46.5"	72.5" x 31.5" x 46.5"
Exterior Unit Dimensions (cm) (W x D x H)	74 x 80 x 118	122 x 80 x 118	152 x 80 x 118	184 x 80 x 118
Shipping Dimensions with Box (in) (W x D x H)	30.5" x 33" x 50.75"	49.5" x 33" x 50.75"	61.5" x 33" x 50.75"	74" x 33" x 50.75"
Shipping Dimensions with Box (cm) (W x D x H)	77.5 x 84 x 129	125.75 x 84 x 129	156 x 84 x 129	188 x 84 x 129
Net Weight	202 lbs (91.5 kg)	231 lbs (105 kg)	275 lbs (125 kg)	341 lbs (154.5 kg)
Gross Weight	260 lbs (118 kg)	337 lbs (153 kg)	394 lbs (179 kg)	464 lbs (210 kg)
Type of Defrost	Automatic	Automatic	Automatic	Automatic
Cutting Board Included	1	1	1	1
Number of Pans	12	18	24	30
Plastic Pan Dimensions	1/6 Pan 6.93" x 6.38" x 5.91"	1/6 Pan 6.93" x 6.38" x 5.91"	1/6 Pan 6.93" x 6.38" x 5.91"	1/6 Pan 6.93" x 6.38" x 5.91"
Swivel Casters	Yes (2 with brakes)	Yes (2 with brakes)	Yes (2 with brakes)	Yes (3 with brakes)
Adjustable Shelves	1	2	2	3
Voltage	115V/60Hz	115V/60Hz	115V/60Hz	115V/60Hz
Input Power	225W	280W	280W	380
Amperes	2.0	2.4	2.4	3.4
Temperature	0.5-5°C	0.5-5°C	0.5-5°C	0.5-5°C
Refrigerant (CFC-Free)	R290	R290	R290	R290
Compressor	Embraco (1/7 HP)	Embraco (1/5 HP)	Embraco (1/4 HP)	Embraco (1/4 HP)
Plug Type	Nema 5-15P	Nema 5-15P	Nema 5-15P	Nema 5-15P

Warranty

**3 years parts and labour,
2 additional years on the compressor**

INSTALLATION & OPERATION

INSTALLATION

Installation

After unpacking, check the cabinet for any damage caused during transportation. In the event of damage, please contact the freight company immediately.

Allow the refrigerator to stand upright for at least 1 hour prior to connection to the main electrical supply. This gives the oil time to run back to the compressor after transit and installation.

Always ensure that your refrigerator is installed on level floor.

Main connection: If the main cord supplied is not long enough, do not use an extension cord. Ask a technician to install a socket near the refrigerator.

Ensure that there is enough space between the back side of the refrigerator and the wall, and that nothing is placed on top of the refrigerator. Allow a minimum gap of 100mm at the rear and 50mm at the sides of the cooler.

Connection to the main supply

Connect the refrigerator to a 115 Volts, 60Hz power supply on a min 15A fused & grounded socket. Do not use extension cables. If the power cord is not long enough, ask an authorized electrician to replace it with a longer one, or to install a socket near the refrigerator.

Do not compress the main cable.

General user information

The thermostat is located on the inside of the refrigerator. The thermostat is factory set to approx. 0~7.2°C. If you require a higher temperature (warmer), turn the thermostat knob anticlockwise. If you require a lower temperature (colder), turn the thermostat knob clockwise.

INSTALLATION & OPERATION

OPERATION

- 1. Start up:** Before operating your unit, please ensure that all casters are properly installed. The unit must be level after it is positioned in its permanent location. This ensures proper door alignment on all cabinet, adequate condensate water drainage, and proper overall refrigeration system operation. Electrical power to the unit is generated immediately after plugging the power cord into an adequate outlet.
- 2. Set Temperature:** Push the SET key for more than 2 seconds to change the Set point value; The value of the set point will be displayed and the “°C” or “°F” LED starts blinking; To change the Set value push the o or n arrows within 10s. To memorize the new set point value push the SET key again or wait 10s.
- 3. Temperature controller:** After turning on for the delay time (2 minute), the compressor starts when cold room temperature \geq set temperature + hysteresis, and will be off when cold room temperature \leq set temperature. To protect the compressor, it can re-start unless the time when the compressor stops every time is longer than the delay time. (2 minutes)
CAUTION: Setting the temperature control to the coldest setting may result in a warmer cabinet temperature.
- 4. Transportation:** Do not incline the unit more than 45° during transportation and do not move the unit frequently once plugged in.
- 5. Storage:** Do not overload the unit with products and do not store foods for too long.
- 6. Maintenance:** Please clean the cabinet with a soft cloth regularly. Unplug the unit before cleaning. If the cabinet will not be in use for an extended amount of time, disconnect the unit and clean it. Verify the wiring prior the resuming usage of the unit.
Restart: Please wait 5 minutes to restart the refrigerator after unplugging the unit or a power outage occurs or it affect the compressor. To save energy, the refrigerator door should not be frequently opened or left open for a long time.
- 7. Defrosting:** Timing of defrosting: The electronic control panel is preset to automatically execute 4 defrosting cycles within 4 hours. Its timer will reset to the time or the initial first start-up. In order to modify the start time for the defrost cycle to the desired time, follow these directions: press the defrosting button for 6 seconds, the unit will start defrosting at the time, and another cycle will follow 6 hours later.
Manual defrosting: Press the button on the top right of the display of the electronic thermostat for 6 seconds. The defrosting will start only if the sensor reveals a temperature that is inferior to a pre-set value. In that phase, the defrosting pilot light and defrost LED switch on. Refrigerator coils are defrosted by compressor stopping. Freezer coils are defrosted electrically.
CAUTION: Do not remove ice with a sharp metal instrument.

CONTROL BOARD INSTRUCTIONS

XR03CX



SET To display target set point, in programming mode it selects a parameter or confirms an operation.

To start a manual defrost.

In programming mode it browses the parameter codes or increases the displayed value.
In programming mode it browses the parameter codes or decreases the displayed value.

KEYS COMBINATION

- To lock or unlock the keyboard
- SET** + To enter in programming mode
- SET** + To return to room temperature display

LED	MODO	SIGNIFICATO
	On	Compressore enabled
	Flashing	Anti short cycle delay enabled (AC parameter)
	On	Defrost in progress
	Flashing	Dripping in progress
	On	Measurement unit

LAB EL	DESCRIPTION	RANGE	DEFAULT
REGULATION			
Hy	Differential	0.1 + 25.5°C/1 + 45°F	3.0°C
LS	Minimum Set Point	-55°C+SET/-67°F+SET	-55 °C
US	Maximum Set Point	SET+99°C/ SET+99°F	99° C
ot	Thermostat probe calibration	-9.9+9.9°C/-17+17°F	0.0
P2	Second probe presence	n – Y	n
oE	Second probe calibration	-9.9+9.9°C/-17+17°F	0.0
od	Outputs activation delay at start up	0 + 99 min	0

1. Enter the Programming mode by pressing the **SET**+ keys for 3s (the “°C” or “°F” LED starts blinking).
2. Released the keys, then push again the **SET**+ keys for more than 7s. The L2 label will be displayed immediately followed from the HY parameter.

NOW YOU ARE IN THE HIDDEN MENU.

3. Select the required parameter.
 4. Press the **SET** key to display its value
 5. Use or to change its value.
 6. Press **SET** to store the new value and move to the following parameter.
- To exit: Press **SET**+ or wait 15s without pressing a key.

NOTE1: if no parameter is present in L1, after 3s the “nP” message is displayed. Keep the keys pushed till the L2 message is displayed.

NOTE2: the set value is stored even when the procedure is exited by waiting the time-out to expire.

MAINTENANCE

REGULAR MAINTENANCE

Cleaning the condenser coil

For efficient operation, it is important that the condenser surface be kept free of dust, dirt, and lint. New Air recommends cleaning the condenser coil and fins at least once per month. Clean with a commercial condenser coil cleaner, available from any kitchen equipment retailer. Brush the condenser fins from top to bottom, not side to side. After cleaning, straighten any bent condenser fins with a fin comb.

Cleaning the fan blades and motor

If necessary, clean the fan blades and motor with a soft cloth. If it is necessary to wash the fan blades, cover the fan motor to prevent moisture damage.

Cleaning the interior of unit

When cleaning the cabinet interior, use a solvent of warm water and mild soap. Do not use steel wool, caustic soap, abrasive cleaners, or bleach that may damage the stainless-steel surface.

Cleaning the back panel:

1. Take down the setscrews of back panel one by one manually, and then take down the back panel.
2. Clean the backboard behind the panel by scour, pay attention to keep the safety of the heat preservation material covered by the cupreous tube, clean the parts around the motherboard holes, clean the back of the panel, dry the cleaning parts by soft cloth.
3. Fix the back panel on the cabinet after clean work.

Wash door gaskets on a regular basis, preferably weekly. Simply remove door gasket from the frame of the door, soak in warm water and soap for thirty (30) minutes, dry with soft cloth, and replace. Check door gaskets for proper seal after they are replaced.

WARNING: Disconnect power cord before cleaning any parts of the unit.

Replace the fluorescent lamp (if it exists)

If replacement of the fluorescent lamp is required, disconnect the appliance from the power supply, take the lamp holder away from the socket, replace with a new and correct fluorescent lamp which specification is marked on it from the plastic pipe. Refit the fluorescent lamp with the plastic pipe and lamp holder into the socket. Then connect up to power supply.

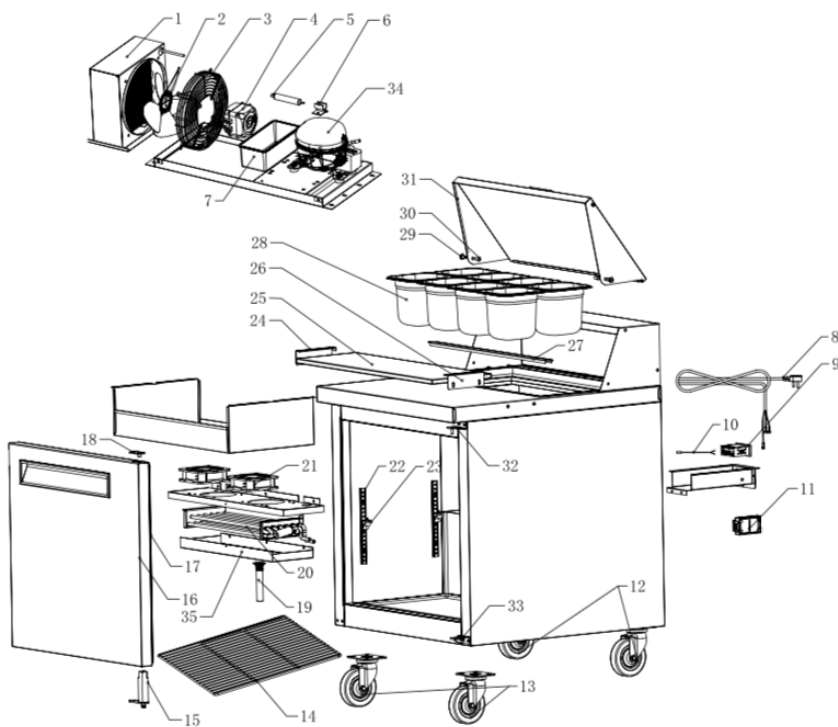
TROUBLESHOOTING

Before requesting any service on your unit, please check the following points. Please note that this guide serves only as a reference for solutions to common problems. Please ask qualified personnel to service.

Fault	Causes	Solution
No power/ unit not running	The main power switch is turned OFF	Turn main power switch to ON position
	No power in the outlet socket	Verify if breaker tripped, verify outlet socket
	Poor contact between plug and socket	Verify and repair plug or socket
	Power cord unplugged	Plug in power cord
High temperature inside cabinet	Thermostat set too high	Set thermostat to lower temperature
	Cabinet is in defrost cycle	Wait for defrost cycle to finish
	Door not properly closed	Close door properly, verify for gasket damages.
	Dirty condensing coil	Verify and clean condenser
	Condensing fans not working	Verify condenser fan is plugged properly and not damaged
	Equipment is near an heat source	Move equipment from heat source to allow proper air flow.
	Evaporator coil is iced over	Unplug and empty unit. Leave door open to allow evaporator coil to defrost.
	Too much goods inside unit	Remove some goods to allow proper air flow.
Inside cabinet water leak	Improper air circulation	Ensure proper air circulation surrounding the unit
	Unit not properly leveled	Verify and level unit left to right and front to back
	Drain not properly attached	Verify and properly attach drain hose
Outside cabinet water leak	Drain frozen	Unplug and empty unit. Leave door open to allow drain hose to defrost.
	Condensation due to humidity level to high	Clean surface, if possible, find way to reduce humidity level surrounding the unit
	Condensation water tray overflowing	Locate and empty condensation water tray
Noisy unit	Water leaking outside condensation water tray	Locate and ensure drain hose is going inside the condensation water tray
	Cabinet is not placed on stable surface	Ensure cabinet is located on leveled and stable surface
Compressor not working	Loose parts and screws	Locate and tighten loose parts and screws
	Temperature setting on controller is too high	Lower temperature setting on controller
	Too low voltage	Verify power outlet has the proper voltage to operate unit
Compressor not working	Controller wiring not properly connected	Verify wiring at back of controller

PARTS BREAKDOWN

NPT-29-SA/-MSA

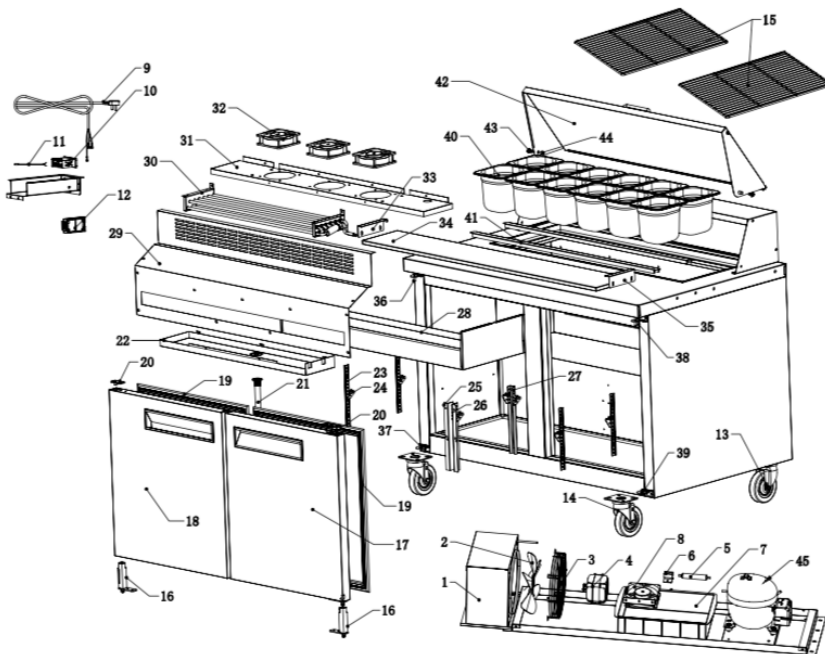


Parts	
1	Wire-type condenser
2	Fan blade, ø 230
3	Fan guard, ø 230
4	Condenser fan
5	Filter
6	Filter base
7	Outer drain pan
8	Power cord set, NEMA5-15P
9	Digital controller

Parts	
10	Temperature sensor
11	Junction box, ET0301G
12	Castor, 5", no brakes
13	Castor, 5", with brakes
14	Shelf, grey, PVC coating
15	Self-close hinge
16	Foaming door
17	Door gasket
18	Axis Guide
19	Drain tube
20	Evaporator
21	Evaporator fan
22	K strip, 2 holes
23	Stainless K clap
24	Cuting board bracket, left
25	Cutting board
26	Cuting board bracket, right
27	GN pan supportor
28	GN pan, 1/6, H150, with cover
29	Pan cover hinge pin
30	Limit tube for pan cover
31	Pan cover
32	Hinge, upper right
33	Hinge, bottom right
34	Compressor
35	Inner drain pan

PARTS BREAKDOWN

NPT-48-SA/-MSA



Parts

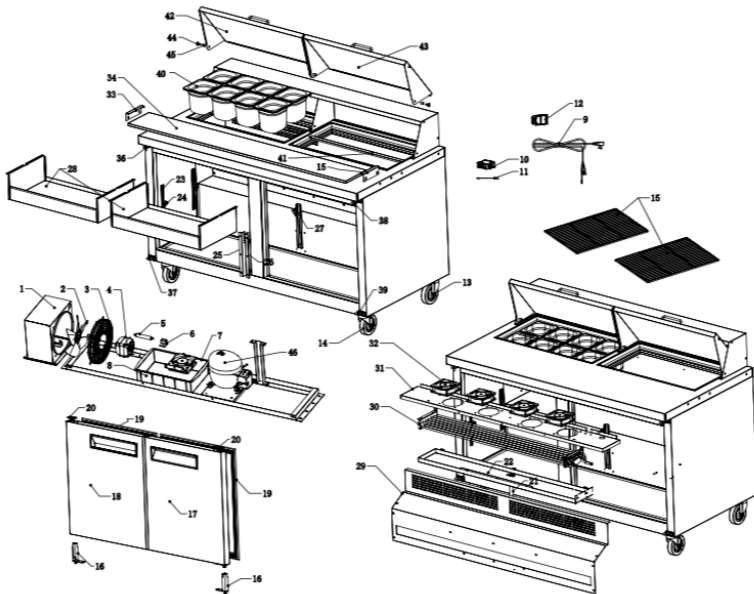
1	Wire-type condenser
2	Fan blade, ø 230
3	Fan guard, ø 230
4	Condenser fan
5	Filter
6	Filter base
7	Outer drain pan
8	Outer drain pan fan
9	Power cord set, NEMA5-15P
10	Digital controller
11	Temperature sensor
12	Junction box, ET0301G
13	Castor, 5", no brakes
14	Castor, 5", with brakes

Parts

15	Shelf, grey, PVC coating
16	Self-close hinge
17	Foaming door, right
18	Foaming door, left
19	Door gasket
20	Axis Guide
21	Drain tube
22	Inner drain pan
23	K strip, 2 holes
24	Stainless K clap
25	K strip of middle_beam, left
26	K strip of middle_beam, right
27	K strip, back
28	Disc groove
29	Cover for evap. component
30	Evaporator
31	Fan supporter
32	Evaporator fan
33	Cutting board bracket, left
34	Cutting board
35	Cutting board bracket, right
36	Hinge, upper left
37	Hinge, bottom left
38	Hinge, upper right
39	Hinge, bottom right
40	GN pan, 1/6, H150, with cover
41	GN pan supportor
42	Pan cover
43	Pan cover hinge pin
44	Limit tube for pan cover
45	Compressor

PARTS BREAKDOWN

NPT-60-SA/-MSA



Parts

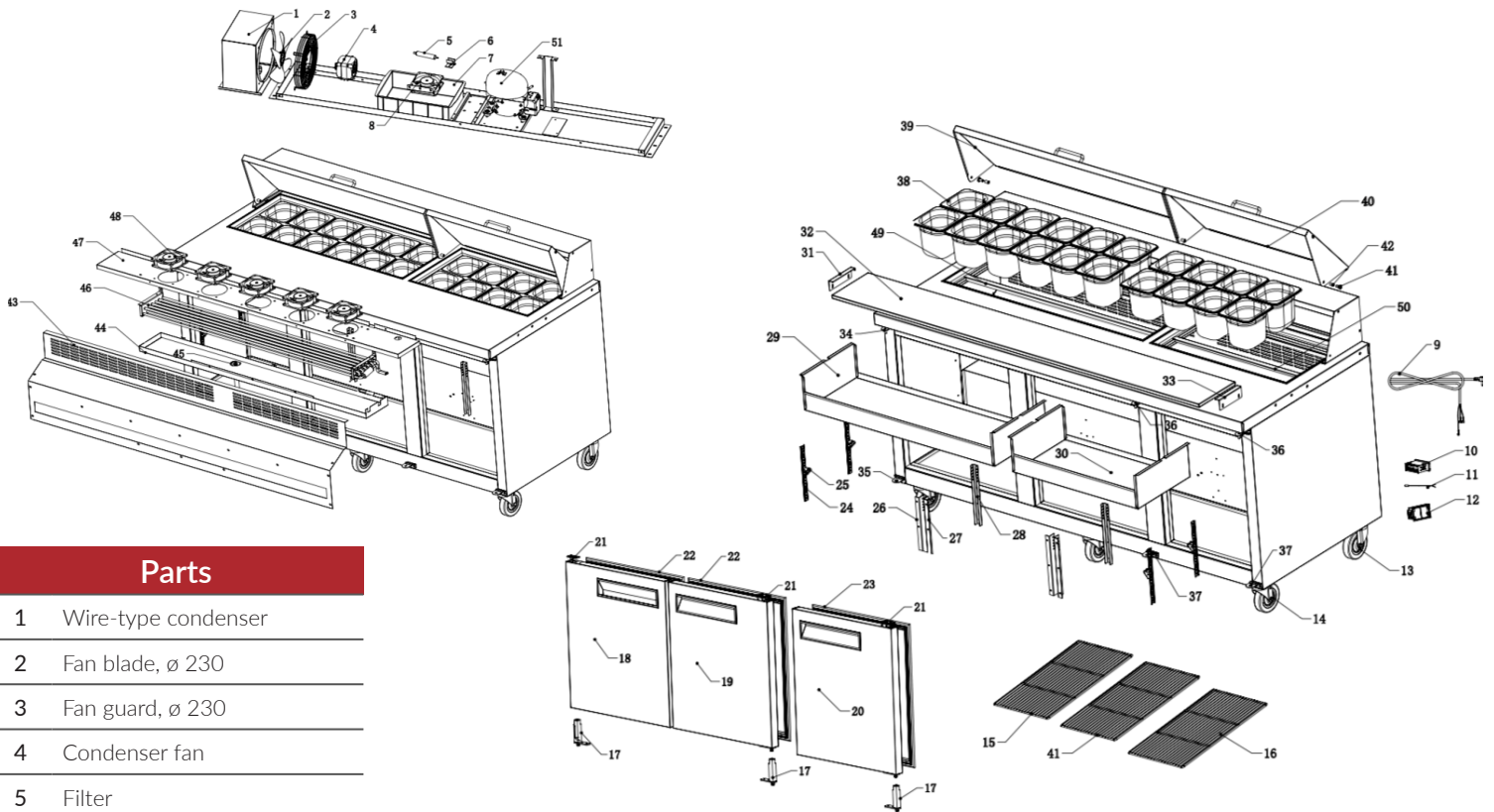
1	Wire-type condenser
2	Fan blade, ø 230
3	Fan guard, ø 230
4	Condenser fan
5	Filter
6	Filter base
7	Outer drain pan
8	Outer drain pan fan
9	Power cord set, NEMA5-15P
10	Digital controller
11	Temperature sensor
12	Junction box, ET0301G
13	Castor, 5", no brakes
14	Castor, 5", with brakes
15	Shelf, grey, PVC coating

Parts

16	Self-close hinge
17	Foaming door, right
18	Foaming door, left
19	Door gasket
20	Axis Guide
21	Drain tube
22	Inner drain pan
23	K strip, 2 holes
24	Stainless K clap
25	K strip of middle_beam, left
26	K strip of middle_beam, right
27	K strip, back
28	Disc groove
29	Cover for evap. component
30	Evaporator
31	Fan supporter
32	Evaporator fan
33	Cutting board bracket, left
34	Cutting board
35	Cutting board bracket, right
36	Hinge, upper left
37	Hinge, bottom left
38	Hinge, upper right
39	Hinge, bottom right
40	GN pan, 1/6, H150, with cover
41	GN pan supportor
42	Left pan cover
43	Right pan cover
44	Pan cover hinge pin
45	Limit tube for pan cover
46	Compressor

PARTS BREAKDOWN

NPT-72-SA/-MSA

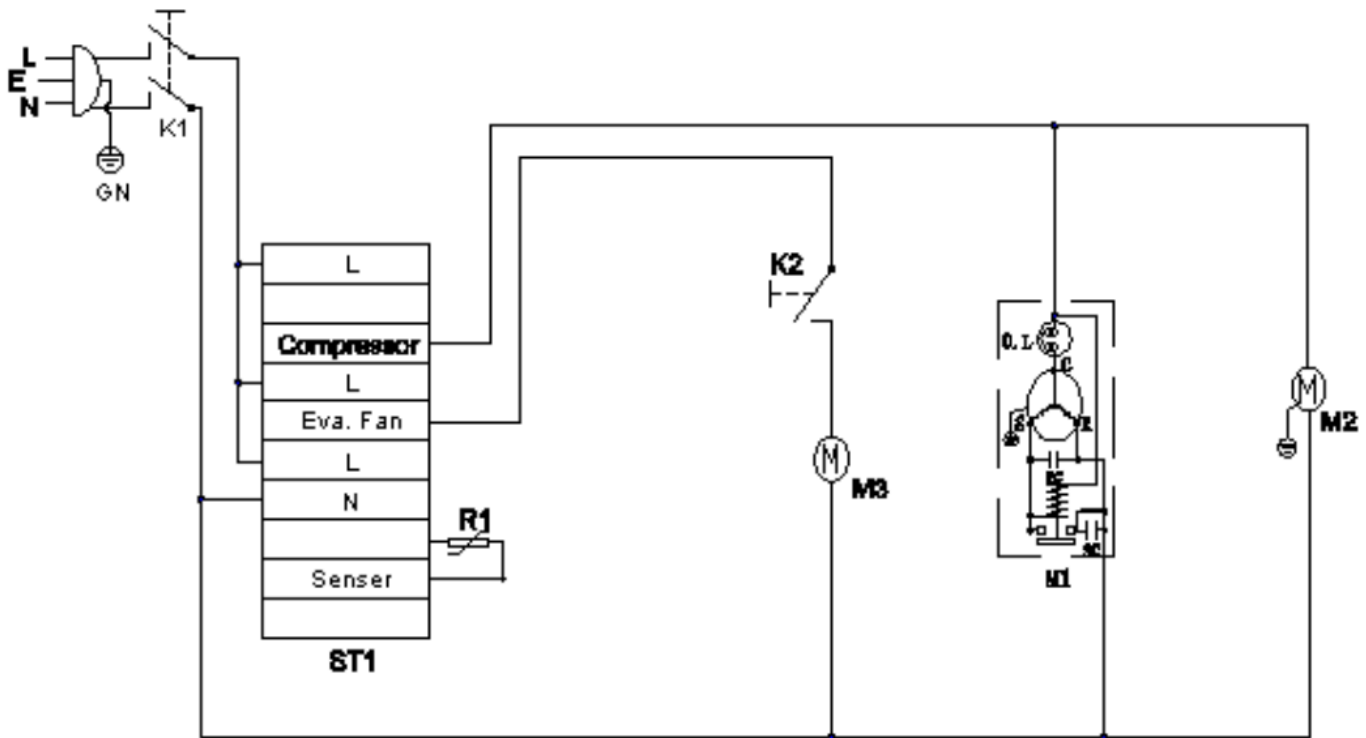


Parts

1	Wire-type condenser	17	Self-close hinge	28	K strip, back	40	Right pan cover
2	Fan blade, ø 230	18	Foaming door, left	29	Disc groove, left	41	Shelf, grey, PVC coating, right
3	Fan guard, ø 230	19	Foaming door, middle	30	Disc groove, right	42	Pan cover hinge pin
4	Condenser fan	20	Foaming door, right	31	Cutting board bracket, left	43	Limit tube for pan cover
5	Filter	21	Axis Guide	32	Cutting board	44	Inner drain pan
6	Filter base	22	Door gasket, left/middle	33	Cutting board bracket, right	45	Drain tube
7	Outer drain pan	23	Door gasket, right	34	Hinge, upper left	46	Evaporator
8	Outer drain pan fan	24	K strip, 2 holes	35	Hinge, bottom left	47	Fan supporter
9	Power cord set, NEMA5-15P	25	Stainless K clap	36	Hinge, upper right	48	Evaporator fan
10	Digital controller	26	K strip of middle_beam, left	37	Hinge, bottom right	49	GN pan supportor
11	Temperature sensor	27	K strip of middle_beam, right	38	GN pan, 1/6, H150, with cover	50	GN pan supportor
12	Junction box, ET0301G			39	Left pan cover	51	Compressor
13	Castor, 5", no brakes						
14	Castor, 5", with brakes						
15	Shelf, grey, PVC coating, left						
16	Shelf, grey, PVC coating, right						

ELECTRICAL DIAGRAM

CIRCUIT DIAGRAM



Electrical Components

K1	Power Switch	K2	Door Switch	R1	Coldroom Sensor
M1	Compressor	M2	Condensor Fan	M3	Evaporator Fans
ST1	Digital Controller				

WARRANTY

PARTS & LABOUR WARRANTY

NEW AIR warrants to the original purchaser of every NEW AIR unit, the cabinet and all parts thereof, to be free from defects in material or workmanship, under normal and proper use and maintenance service as specified by NEW AIR and upon proper installation and start-up in accordance with the instruction packet supplied with each NEW AIR unit.

NEW AIR obligation under this warranty is limited to a period of 3 years from the date of original installation or 39 months after shipment date from NEW AIR, whichever occurs first.

Any parts covered under this warranty that are determined by NEW AIR to have been defective is limited to the repair or replacement, including labour charges, of defective parts or assemblies. The labour warranty shall include standard straight time labour charges only, as determined by NEW AIR.

WARRANTY CLAIMS

All claims for labour or parts must be made directly through NEW AIR and must have an authorization number. All claims should include: model number of the unit, the serial number of the cabinet, proof of purchase, date of installation, and all pertinent information supporting the existence of the alleged defect. In case of warranty compressor, the compressor tag must be returned to NEW AIR along with above listed information.

COMPRESSOR WARRANTY

In addition to the warranties stated above, NEW AIR warrants his hermetically and semi hermetically sealed compressor to be free from defects in both material and workmanship under normal and proper usage and maintenance service for a period of 2 additional years from the date of original purchase but not to exceed 5 years and 3 months after shipment from the manufacturer.

WHAT IS NOT COVERED BY THIS WARRANTY

NEW AIR's sole obligation under this warranty is limited to either the repair or replacement of parts, subject to the additional limitations below. This warranty neither assumes nor authorizes any person to assume obligations other than those expressly covered by this warranty.

NO CONSEQUENTIAL DAMAGES. NEW AIR is not responsible for economic loss; profit loss; or special, indirect, or consequential damages, including without limitation, losses or damages arising from food or product spoilage claims whether or not account of refrigeration failure. Warranty is not transferable. This warranty is not assignable and applies only in favour of the original purchaser/user to whom delivered. Any such assignment or transfer shall void the warranties herein made and shall void all warranties, express or implied, including any warranty of merchantability or fitness for a particular purpose.

Any travelling time, on-site waiting time, waiting time due to site access delays, holiday or overtime labour charges, are not covered by this warranty. The relocation of a unit for repair or replacement is not covered.

Improper usage: NEW AIR assumes no liability for parts or labour coverage for component failure or other damages resulting from improper usage or installation or failure to clean and/or maintain product as set forth in the warranty packet provided with the unit.

Residential applications: NEW AIR assumes no liability for parts or labour coverage for component failure or other damages resulting from installation in non-commercial or residential applications.

Alteration, neglect, abuse, misuse, accident, damage during transit or installation, fire, flood, acts of god: NEW AIR is not responsible for the repair or replacement of any parts that NEW AIR determines have been subjected after the date of manufacture to alteration, neglect, abuse, misuse, accident, damage during transit or installation, fire, flood, or act of god.

Improper electrical connections: NEW AIR is not responsible for the repair or replacement of failed or damaged components resulting from electrical power failure, the use of extension cords, low voltage, or voltage drops to the unit.

No implied warranty of merchantability or fitness for a particular purpose: There are no any other warranties, expressed, implied or statutory, except the parts & labour warranty. There are no warranties which extend beyond the description on the face hereof.

This warranty applies to units sold in Canada only and all warranty coverage will be void for all units shipped outside of Canada.

WARRANTY REGISTRATION

REGISTRATION

To register your unit with New Air Refrigeration, simply provide the following information by email to service@distex.ca or via the New Air website www.newairrefrigeration.ca

WARRANTY REGISTRATION CARD

MODEL NUMBER:	_____	DATE OF PURCHASE:	_____
SERIAL NUMBER:	_____		
RESTAURANT NAME:	_____		
ADDRESS:	_____		

OWNER NAME:	_____		
EMAIL ADDRESS:	_____		
TELEPHONE NUMBER:	_____		

INFORMATIONS IMPORTANTES

AVIS DE NON-RESPONSABILITÉ

Veuillez lire attentivement ce manuel avant d'installer et d'utiliser l'unité. Gardez ce manuel à portée de main pour référence ultérieure.

L'équipement de la série NPT est destiné à être utilisé dans des pièces où les conditions environnementales sont contrôlées et maintenues de telle sorte que la température ambiante ne dépasse généralement pas 86 ° F (30 ° C).

USAGE

Démarrage: avant d'utiliser votre appareil, assurez-vous que toutes les roulettes sont correctement installées. L'unité doit être de niveau après avoir été positionnée dans son emplacement permanent. Cela garantit un alignement correct des portes sur toutes les armoires, une évacuation adéquate de l'eau de condensation et un bon fonctionnement global du système de réfrigération. L'alimentation électrique de l'unité est générée immédiatement après avoir branché le cordon d'alimentation dans une prise adéquate.

Transport: veuillez attacher (ou sécuriser) l'unité et éviter les vibrations importantes pendant le transport; n'inclinez pas l'appareil à plus de 45 °. Ne déplacez pas l'appareil fréquemment pendant son utilisation.

Stockage: placez correctement les aliments dans l'unité afin d'éviter d'endommager la porte et les côtés. Afin d'éviter une mauvaise odeur ou un mauvais goût, gardez un espace entre chaque produit et ne stockez pas les aliments trop longtemps.

AVERTISSEMENTS

CAUTIONS

1. Laissez un minimum de 4" de dégagement entre le mur et l'unité; ne placez pas l'unité contre un mur pour bloquer la circulation d'air.
2. Assurez-vous de retirer tout l'emballage de l'unité. N'oubliez pas le bas de l'appareil car le modèle dégage de la chaleur et pourrait provoquer un incendie avec le temps.
3. Ne stockez pas de produits chimiques inflammables et volatils à l'intérieur de l'appareil car cela pourrait provoquer une explosion.
4. Utilisez une prise électrique monophasée mise à la terre dédiée pour cet appareil.
5. **CAUTION** - Ne connectez pas le fil de mise à la terre à un tuyau d'eau ou de gaz.
6. Veuillez attacher (ou sécuriser) l'unité et éviter les vibrations importantes pendant le transport; n'inclinez pas l'appareil à plus de 45 °. Ne déplacez pas l'appareil fréquemment pendant son utilisation.
7. Veuillez consulter le guide de dépannage si l'appareil a un problème. N'essayez pas de résoudre le problème par vous-même. Veuillez contacter le service après-vente de New Air Refrigeration pour obtenir de l'aide.
8. **DANGER** - Risque d'incendie ou d'explosion. Réfrigérant inflammable utilisé. N'utilisez pas d'appareils mécaniques pour dégivrer le réfrigérateur. Ne percez pas la tubulure de réfrigérant.
9. **DANGER** - Risque d'incendie ou d'explosion. Réfrigérant inflammable utilisé. À réparer uniquement par un personnel de service qualifié. Ne percez pas la tubulure de réfrigérant.
10. **CAUTION** - Risque d'incendie ou d'explosion. Réfrigérant inflammable utilisé. Consultez le manuel de réparation / le guide du propriétaire avant de tenter de réparer ce produit. Toutes les précautions de sécurité doivent être suivies.
11. **CAUTION** - Risque d'incendie ou d'explosion. Éliminez-le correctement conformément aux réglementations fédérales ou locales. Réfrigérant inflammable utilisé.
12. **CAUTION** - Risque d'incendie ou d'explosion dû à la perforation de la tubulure de réfrigérant; suivez attentivement les instructions de manipulation. Réfrigérant inflammable utilisé.
13. **CAUTION** - Gardez à l'écart de toute obstruction toutes les ouvertures de ventilation dans l'enceinte de l'appareil ou dans la structure à encaster.
14. **CAUTION** - l'entretien doit être effectué par le personnel de service autorisé de l'usine, afin de minimiser le risque d'inflammation possible en raison de pièces incorrectes ou d'un entretien inapproprié.
15. **CAUTION** -réfrigérant inflammable utilisé! Lors de la manipulation, du déplacement et de l'utilisation du réfrigérateur, assurez-vous d'éviter d'endommager la tubulure de réfrigérant ou d'augmenter le risque de fuite.

SPÉCIFICATIONS TECHNIQUES



CARACTÉRISTIQUES



Température (°C) : 0.5-5



Contrôle de température électronique ajustable



Réfrigérant naturel favorise une réfrigération plus rapide et une consommation d'énergie plus efficace



Intérieur et extérieur en acier inoxydable



8-30 bacs à aliments en plastique transparent inclus



Tablettes robustes ajustables



Couvercle isolé pour maintenir la fraîcheur des aliments



Compresseur monté à l'arrière

SPÉCIFICATIONS TECHNIQUES

SPÉCIFICATIONS

Numéro de modèle	NPT-029-SA	NPT-048-SA	NPT-060-SA	NPT-072-SA
Capacité (Pieds Cu.)	6.5	11.5	14.3	17.6
Capacité (Litres)	186	325.6	405	499
Dimensions extérieures (in) (W x D x H)	29" x 31.5" x 44"	48" x 31.5" x 44"	60" x 31.5" x 44"	72.5" x 31.5" x 44"
Dimensions extérieures (cm) (W x D x H)	74 x 80 x 112	122 x 80 x 112	152.5 x 80 x 112	184 x 80 x 112
Dimensions d'expédition avec boîte (in) (W x D x H)	30.5" x 33" x 50.75"	49.5" x 33" x 50.75"	61.5" x 33" x 50.75"	74" x 33" x 50.75"
Dimensions d'expédition avec boîte (cm) (W x D x H)	77.5 x 84 x 129	125.75 x 84 x 129	156 x 84 x 129	188 x 84 x 129
Poids net	202 lbs (91.5 kg)	231 lbs (105 kg)	275 lbs (125 kg)	341 lbs (154.5 kg)
Poids total	233 lbs (106 kg)	320 lbs (145 kg)	365 lbs (165 kg)	454 lbs (206 kg)
Type de dégivrage	Automatic	Automatic	Automatic	Automatic
Planche à découper incluse	1	1	1	1
Numéro de bac à aliments	8	12	16	20
Dimensions bac à aliments	1/6 Pan 6.93" x 6.38" x 5.91"	1/6 Pan 6.93" x 6.38" x 5.91"	1/6 Pan 6.93" x 6.38" x 5.91"	1/6 Pan 6.93" x 6.38" x 5.91"
Roues pivotantes	Yes (2 with brakes)	Yes (2 with brakes)	Yes (2 with brakes)	Yes (3 with brakes)
Tablettes ajustables	1	2	2	3
Voltage	115V/60Hz	115V/60Hz	115V/60Hz	115V/60Hz
Puissance	225W	280W	280W	380
Ampérage	2.0	2.4	2.4	3.4
Température	0.5-5°C	0.5-5°C	0.5-5°C	0.5-5°C
Réfrigérant (sans CFC)	R290	R290	R290	R290
Compresseur	Embraco (1/7 HP)	1/5 HP	Embraco (1/5 HP)	Embraco (1/4 HP)
Type de prise	Nema 5-15P	Nema 5-15P	Nema 5-15P	Nema 5-15P

Garantie

**3 ans pièces et main d'œuvre
2 ans supplémentaires sur le compresseur**

SPÉCIFICATIONS TECHNIQUES

SPÉCIFICATIONS

Numéro de modèle	NPT-029-MSA	NPT-048-MSA	NPT-060-MSA	NPT-072-MSA
Capacité (Pieds Cu.)	6.5	11.5	14.3	17.6
Capacité (Litres)	186	325.5	405	499
Dimensions extérieures (in) (W x D x H)	29" x 31.5" x 46.5"	48" x 31.5" x 46.5"	60" x 31.5" x 46.5"	72.5" x 31.5" x 46.5"
Dimensions extérieures (cm) (W x D x H)	74 x 80 x 118	122 x 80 x 118	152 x 80 x 118	184 x 80 x 118
Dimensions d'expédition avec boîte (in) (W x D x H)	30.5" x 33" x 50.75"	49.5" x 33" x 50.75"	61.5" x 33" x 50.75"	74" x 33" x 50.75"
Dimensions d'expédition avec boîte (cm) (W x D x H)	77.5 x 84 x 129	125.75 x 84 x 129	156 x 84 x 129	188 x 84 x 129
Poids net	202 lbs (91.5 kg)	231 lbs (105 kg)	275 lbs (125 kg)	341 lbs (154.5 kg)
Poids total	260 lbs (118 kg)	337 lbs (153 kg)	394 lbs (179 kg)	464 lbs (210 kg)
Type de dégivrage	Automatic	Automatic	Automatic	Automatic
Planche à découper incluse	1	1	1	1
Numéro de bac à aliments	12	18	24	30
Dimensions bac à aliments	1/6 Pan 6.93" x 6.38" x 5.91"	1/6 Pan 6.93" x 6.38" x 5.91"	1/6 Pan 6.93" x 6.38" x 5.91"	1/6 Pan 6.93" x 6.38" x 5.91"
Roues pivotantes	Yes (2 with brakes)	Yes (2 with brakes)	Yes (2 with brakes)	Yes (3 with brakes)
Tablettes ajustables	1	2	2	3
Voltage	115V/60Hz	115V/60Hz	115V/60Hz	115V/60Hz
Puissance	225W	280W	280W	380
Ampérage	2.0	2.4	2.4	3.4
Température	0.5-5°C	0.5-5°C	0.5-5°C	0.5-5°C
Réfrigérant (sans CFC)	R290	R290	R290	R290
Compresseur	Embraco (1/7 HP)	Embraco (1/5 HP)	Embraco (1/4 HP)	Embraco (1/4 HP)
Type de prise	Nema 5-15P	Nema 5-15P	Nema 5-15P	Nema 5-15P

Garantie

**3 ans pièces et main d'œuvre
2 ans supplémentaires sur le compresseur**

INSTALLATION ET UTILISATION

INSTALLATION

Installation

Veillez vérifier l'unité pour des dommages encourus dans le transport, une fois que celle-ci est déballée. S'il y a des dommages, veuillez contacter le transporteur immédiatement.

Veillez laisser l'unité à la verticale pendant 1h avant de la brancher. Ceci permet à l'huile de se replacer dans le compresseur après le transport et l'installation. Assurez-vous que le réfrigérateur est placé sur une surface à niveau.

Connexion électrique : Si le cordon électrique n'est pas assez long, n'utilisez pas de rallonge. Faites installer une prise plus près du réfrigérateur par un électricien.

Assurez-vous qu'il y ait assez d'espace entre les murs et l'arrière et les côtés du réfrigérateur pour la circulation d'air et ne rien placer sur le dessus de l'unité.

Informations générales

Le thermostat est situé à l'intérieur du réfrigérateur. Il est réglé par défaut de 0 à 7.2°C. Si vous nécessitez une température plus haute, tourner le bouton vers la gauche. Si vous désirez une température plus froide, tournez le bouton vers la droite.

INSTALLATION ET UTILISATION

UTILISATION

- Démarrage:** Avant d'utiliser votre appareil, assurez-vous que toutes les roulettes sont correctement installées. L'unité doit être de niveau après avoir été positionnée à son emplacement permanent. Cela garantit un alignement correct de la porte sur toutes les armoires, un drainage adéquat de l'eau de condensation et un bon fonctionnement global du système de réfrigération. L'alimentation électrique de l'unité est générée immédiatement après avoir branché le cordon d'alimentation dans une prise adéquate.
- Température:** Appuyez sur la touche SET pendant plus de 2 secondes pour modifier la valeur du point de consigne ; La valeur du point de consigne s'affichera et la LED "°C" ou "°F" se mettra à clignoter ; Pour modifier la valeur de consigne, appuyez sur les flèches o ou n dans les 10 s. Pour mémoriser la nouvelle valeur de consigne, appuyez à nouveau sur la touche SET ou attendez 10 s.
- Thermostat:** Après s'être allumé pendant la temporisation (2 minutes), le compresseur démarre lorsque la température de la chambre froide température de consigne + hystérésis, et s'éteint lorsque la température de la pièce froide température de consigne. Pour protéger le compresseur, il peut redémarrer à moins que le temps où le compresseur s'arrête à chaque fois soit plus long que le temps de retard. (2 minutes) MISE EN GARDE : Le réglage de la commande de température sur le réglage le plus froid peut entraîner à terme une augmentation de la température de l'armoire.
- Transport:** Assurez-vous que l'unité est sécurisée pendant le transport ; n'inclinez pas l'appareil à plus de 45°. Lorsqu'il fonctionne, ne le déplacez pas fréquemment.
- Storage:** Afin d'éviter les mauvaises odeurs ou goûts, gardez un espace entre chaque aliment et ne conservez pas les aliments trop longtemps.
- Entretien:** Veuillez nettoyer l'unité régulièrement. Veuillez débrancher l'unité avant de débiter le nettoyage. Si l'unité ne sera pas utilisée pendant une longue période de temps, veuillez la débrancher et la nettoyer. Veuillez inspecter le circuit électrique avant de rebrancher l'unité. Redémarrage: Veuillez attendre 5 minutes avant de rebrancher l'unité après une panne ou un débranchement.
- Dégivrage:** Temps de dégivrage: Le panneau de commande électronique est pré-réglé pour exécuter automatiquement 4 cycles de dégivrage en 4 heures. Sa minuterie se réinitialise à l'heure du premier démarrage initial. Afin de modifier l'heure de début du cycle de dégivrage à l'heure souhaitée, il suffit de suivre ces instructions, d'appuyer sur le bouton de dégivrage pendant 6 secondes, l'unité commencera à dégivrer à ce moment-là, et un autre cycle suivra 6 heures plus tard.
Dégivrage manuel: Appuyez sur le bouton en haut à droite de l'écran du thermostat électronique pendant 6 secondes. Le dégivrage ne démarrera que si la sonde révèle une température inférieure à une valeur prédéfinie. Dans cette phase, le voyant de dégivrage et la LED de dégivrage s'allument. Les serpentins du réfrigérateur sont dégivrés par l'arrêt du compresseur. Les serpentins de congélation sont dégivrés électriquement.
CAUTION: Ne pas utiliser d'objet pointu pour enlever un amas de glace dans l'unité.

RÉGLAGE DU THERMOSTAT

XRC03CX



Pour afficher le point de consigne cible, en mode de programmation, il sélectionne un paramètre ou confirme une opération.

Pour faire un dégivrage manuel.

En mode programmation, il parcourt les codes de paramètres ou augmente la valeur affichée.

En mode programmation, il parcourt les codes de paramètres ou diminue la valeur affichée.

KEYS COMBINATION

- To lock or unlock the keyboard
- To enter in programming mode
- To return to room temperature display

LED	MODO	SIGNIFICATO
	On	Compressore enabled
	Flashing	Anti short cycle delay enabled (AC parameter)
	On	Defrost in progress
	Flashing	Dripping in progress
	On	Measurement unit

LAB EL	DESCRIPTION	RANGE	DEFAULT
REGULATION			
Hy	Differential	0.1 + 25.5°C/1 + 45°F	3.0°C
LS	Minimum Set Point	-55°C+SET/-67°F+SET	-55 °C
US	Maximum Set Point	SET+99°C/ SET+99°F	99° C
ot	Thermostat probe calibration	-9.9+9.9°C/-17+17°F	0.0
P2	Second probe presence	n - Y	n
oE	Second probe calibration	-9.9+9.9°C/-17+17°F	0.0
od	Outputs activation delay at start up	0 + 99 min	0

- Entrez dans le mode de programmation en appuyant sur **SET+▼** pour 3s ("°C" ou "°F" va clignoter).
- Relâchez et pesez encore sur **SET+▼** pour plus de 7s. Le signe L2 va apparaître immédiatement suivi du paramètre HY.

VOUS ÊTES MAINTENANT DANS LE MENU CACHÉ.

- Sélectionnez le paramètre requis.
 - Pesez sur le bouton **SET** pour afficher la valeur.
 - Utilisez les boutons **▲** or **▼** pour changer les paramètres.
 - Pesez sur **SET** pour sauvegarder les nouvelles données et passer au paramètre suivant.
- Pour sortir: Pesez sur **SET+▲** ou attendez 15s sans pesez sur les boutons.

NOTE 1: s'il n'y a aucun paramètre dans L1, après 3s le message "nP" va apparaître. Pesez sur les boutons jusqu'à ce que le message L2 apparait.

NOTE2: la valeur définie est enregistrée même lorsque la procédure est quittée en attendant l'expiration du délai.

ENTRETIEN

MAINTENANCE

Nettoyage du serpentin du condenseur

Pour un fonctionnement efficace, il est important que la surface du condenseur soit exempte de poussière, de saleté et de peluches. New Air recommande de nettoyer le serpentin et les ailettes du condenseur au moins une fois par mois. Nettoyez avec un nettoyant commercial pour serpentins de condenseur, disponible chez n'importe quel détaillant d'équipement de cuisine. Brossez les ailettes les plus denses de haut en bas, et non d'un côté à l'autre. Après le nettoyage, redressez les ailettes du condenseur pliées avec un peigne à ailettes.

Nettoyage des pales et du moteur du ventilateur

Si nécessaire, nettoyez les pales et le moteur du ventilateur avec un chiffon doux. S'il est nécessaire de laver les pales du ventilateur, couvrez le moteur du ventilateur pour éviter les dommages dus à l'humidité.

Nettoyage de l'intérieur de l'unité

Lors du nettoyage de l'intérieur de l'armoire, utilisez un solvant composé d'eau tiède et de savon doux. N'utilisez pas de laine d'acier, de savon caustique, de nettoyeurs abrasifs ou d'eau de Javel qui pourraient endommager la surface en acier inoxydable.

Nettoyage du panneau arrière :

Retirez les vis de fixation du panneau arrière une par une manuellement, puis retirez le panneau arrière.

Nettoyez le panneau arrière derrière le panneau par récurage, faites attention à garder la sécurité du matériau de conservation de la chaleur recouvert par le tube cuivreux, nettoyez les pièces autour des trous de la carte mère, nettoyez l'arrière du panneau, séchez les pièces de nettoyage avec un chiffon doux.

Fixez le panneau arrière sur l'armoire après un travail propre.

Lavez les joints de porte régulièrement, de préférence une fois par semaine. Retirez simplement le joint de porte du cadre de la porte, faites-le tremper dans de l'eau tiède et du savon pendant trente (30) minutes, séchez avec un chiffon doux et remplacez-le. Vérifiez l'étanchéité des joints de porte après leur remplacement.

AVERTISSEMENT : Débranchez le cordon d'alimentation avant de nettoyer des pièces de l'appareil.

Remplacer la lampe fluorescente (si elle existe)

Si le remplacement de la lampe fluorescente est nécessaire, débranchez l'appareil de l'alimentation électrique, retirez le support de lampe de la prise, remplacez-le par une lampe fluorescente neuve et correcte dont les spécifications sont marquées sur le tuyau en plastique. remettez la lampe fluorescente avec le tuyau en plastique et le support de lampe dans la douille. puis connectez-vous à l'alimentation.

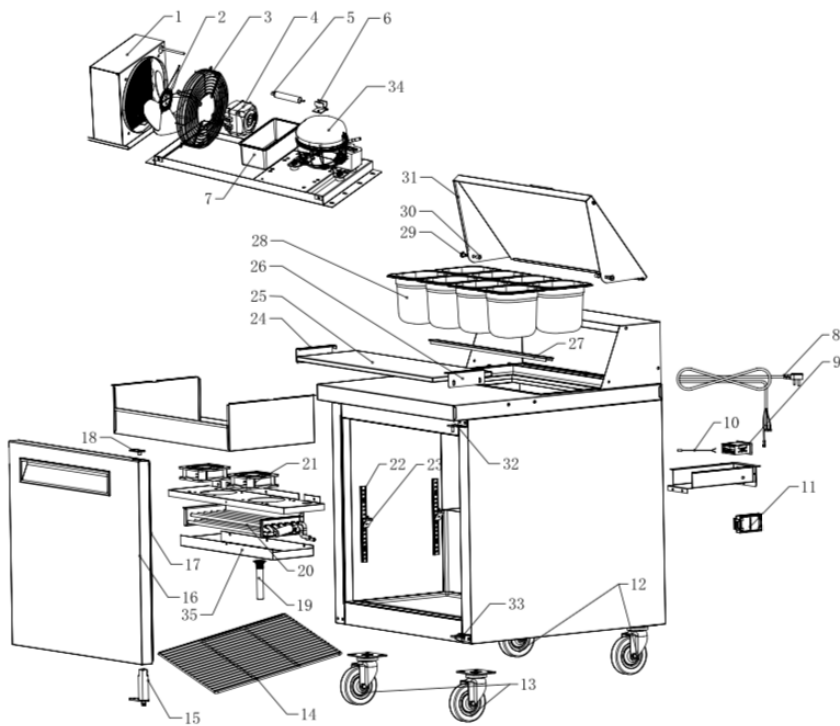
DÉPANNAGE

Avant de faire un appel de service pour votre unité, réviser les points suivants. Veuillez noter que ce guide sert seulement de référence pour des solutions aux problèmes communs. Veuillez contacter un professionnel certifié en réfrigération pour effectuer les réparations sur l'unité.

Problème	Causes	Solution
Aucun courant / unité non-fonctionnelle	L'interrupteur principal est à la position fermé	Mettre l'interrupteur en position de marche
	Aucun courant dans la prise électrique	Vérifier le disjoncteur d'alimentation
	Mauvais contact entre la prise et le cordon d'alimentation	Vérifier et réparer le cordon d'alimentation ou la prise électrique
	Le cordon d'alimentation est débranché	Rebrancher le cordon d'alimentation
	Le contrôleur est réglé trop haut	Régler la température du contrôleur plus basse
	Le cabinet est en période de dégivrage	Attendre la fin de la période de dégivrage
Température interne trop élevée	Les portes ne sont pas proprement fermées	Fermer les portes complètement et vérifier les joints d'étanchéité
	Condenseur sale	Nettoyer le condenseur
	Le moteur de fan de condenseur n'est pas fonctionnel	Vérifier si le moteur est bien branché et non endommagé
	L'équipement est trop près d'une source de chaleur	Éloigner l'équipement de la source de chaleur
	Le serpentin d'évaporateur est glacé	Vider et débrancher l'unité. Laisser les portes ouvertes afin de permettre au serpentin de déglacer
	Trop de marchandises à l'intérieur de l'unité	Retirer la marchandise afin d'allouer une bonne circulation d'air
Formation d'eau à l'intérieur de l'unité	Mauvaise circulation d'air environant l'unité	S'assurer d'une bonne circulation d'air environant l'unité
	L'unité n'est pas de niveau	Mettre l'unité de niveau de gauche à droite et devant à arrière.
	Le drain n'est pas correctement connecté	Vérifier et connecter le drain proprement
Formation d'eau à l'extérieur de l'unité	Le drain est gelé	Vider et débrancher l'unité. Laisser les portes ouvertes afin de permettre au drain de déglacer
	Condensation dû au niveau d'humidité trop élevé	Nettoyer les surfaces, si possible, trouver le moyen de réduire le niveau d'humidité environant l'unité
	Le bac à eau de condensation déborde	Localiser et vider le bac à eau de condensation
Unité bruyante	Eau coule à l'extérieur du bac à eau de condensation	Localiser le tuyau de drainage et s'assurer qu'il soit dans le bac à eau de condensation.
	L'unité est installé sur une surface instable	Assurez-vous que l'unité soit installée sur une surface stable et de niveau
Compresseur non-fonctionnel	Certaines pièces ou vises sont lousse	Repérez et serrez les composantes louses.
	Le contrôleur est réglé trop haut	Régler la température du contrôleur plus basse
	Voltage à l'unité trop bas	Vérifiez que la tension de la prise électrique soit adéquate pour l'équipement
	Filage au contrôleur mal connecté	Vérifier le filage à l'arrière du contrôleur

SCHÉMAS DES PIÈCES

NPT-29-SA/-MSA



Pièces

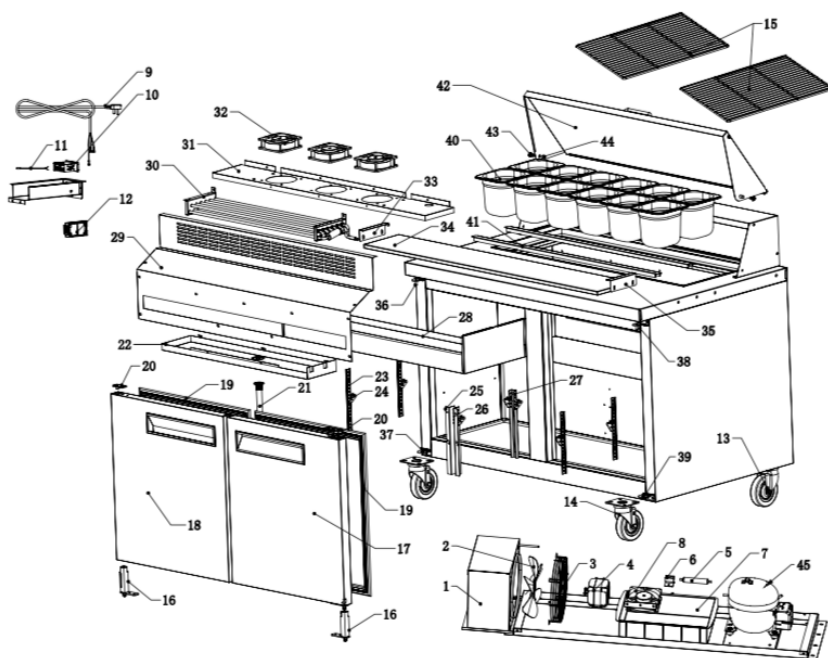
1	Condenseur à fil
2	Pale de ventilateur ø 230
3	Garde de ventilateur, ø 230
4	Ventilateur de condenseur
5	Filtre
6	Base de filtre
7	Bac de récupération externe
8	Cordon électrique, NEMA5-15P
9	Contrôle digital

Pièces

10	Sonde de température
11	Boîte de jonction, ET0301G
12	Roues 5" sans frein
13	Roues 5" avec frein
14	Tablette en pvc gris
15	Charnière à fermeture automatique
16	Isolation de porte
17	Joint d'étanchéité de porte
18	Guide d'axe
19	Tube de drainage
20	Évaporateur
21	Ventilateur d'évaporateur
22	K strip, 2 trous
23	Clap en acier inoxydable
24	Bloc fixe gauche pour planche à découper
25	Planche à découper
26	Bloc fixe droit pour planche à découper
27	Support à récipient GN
28	Récipient GN 1/6, H150, avec couvercle
29	Goupille de couvercle
30	Tube pour couvercle
31	Couvercle
32	Penture du haut, côté droit
33	Penture du bas, côté droit
34	Compresseur
35	Bac de récupération interne

SCHÉMAS DES PIÈCES

NPT-48-SA/-MSA



Pièces

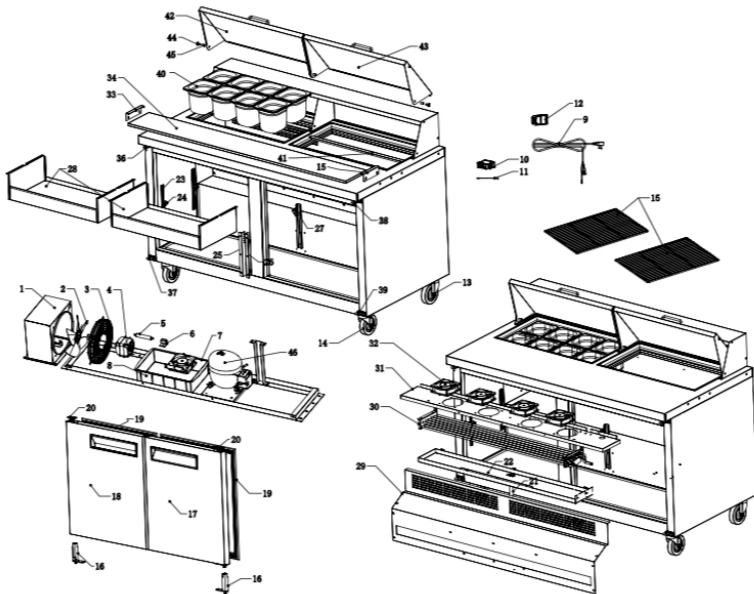
1	Condenseur à fil
2	Pale de ventilateur ø 230
3	Garde de ventilateur, ø 230
4	Ventilateur de condenseur
5	Filtre
6	Base de filtre
7	Bac de récupération externe
8	Ventilateur pour récipient à eau externe
9	Cordon électrique, NEMA5-15P
10	Contrôle digital
11	Sonde de température
12	Boîte de jonction, ET0301G
13	Roues 5" sans frein
14	Roues 5" avec frein

Pièces

15	Tablette en pvc gris
16	Charnière à fermeture automatique
17	Isolation de porte droite
18	Isolation de porte gauche
19	Joint d'étanchéité de porte
20	Guide d'axe
21	Tube de drainage
22	Bac de récupération internet
23	K strip, 2 trous
24	Clap en acier inoxydable
25	K strip de barre de soutien du milieu gauche
26	K strip de barre de soutien du milieu droit
27	K strip, arrière
28	Rainure de disque
29	Couvert pour composants d'évaporateur
30	Évaporateur
31	Support à ventilateur
32	Ventilateur d'évaporateur
33	Bloc fixe gauche pour planche à découper
34	Planche à découper
35	Bloc fixe droit pour planche à découper
36	Penture du haut, côté gauche
37	Penture du bas, côté gauche
38	Penture du haut, côté droit
39	Penture du bas, côté droit
40	Récipient GN 1/6, H150, avec couvercle
41	Support à récipient GN
42	Couvercle
43	Goupille de couvercle
44	Tube pour couvercle
45	Compresseur

SCHÉMAS DES PIÈCES

NPT-60-SA/-MSA



Pièces

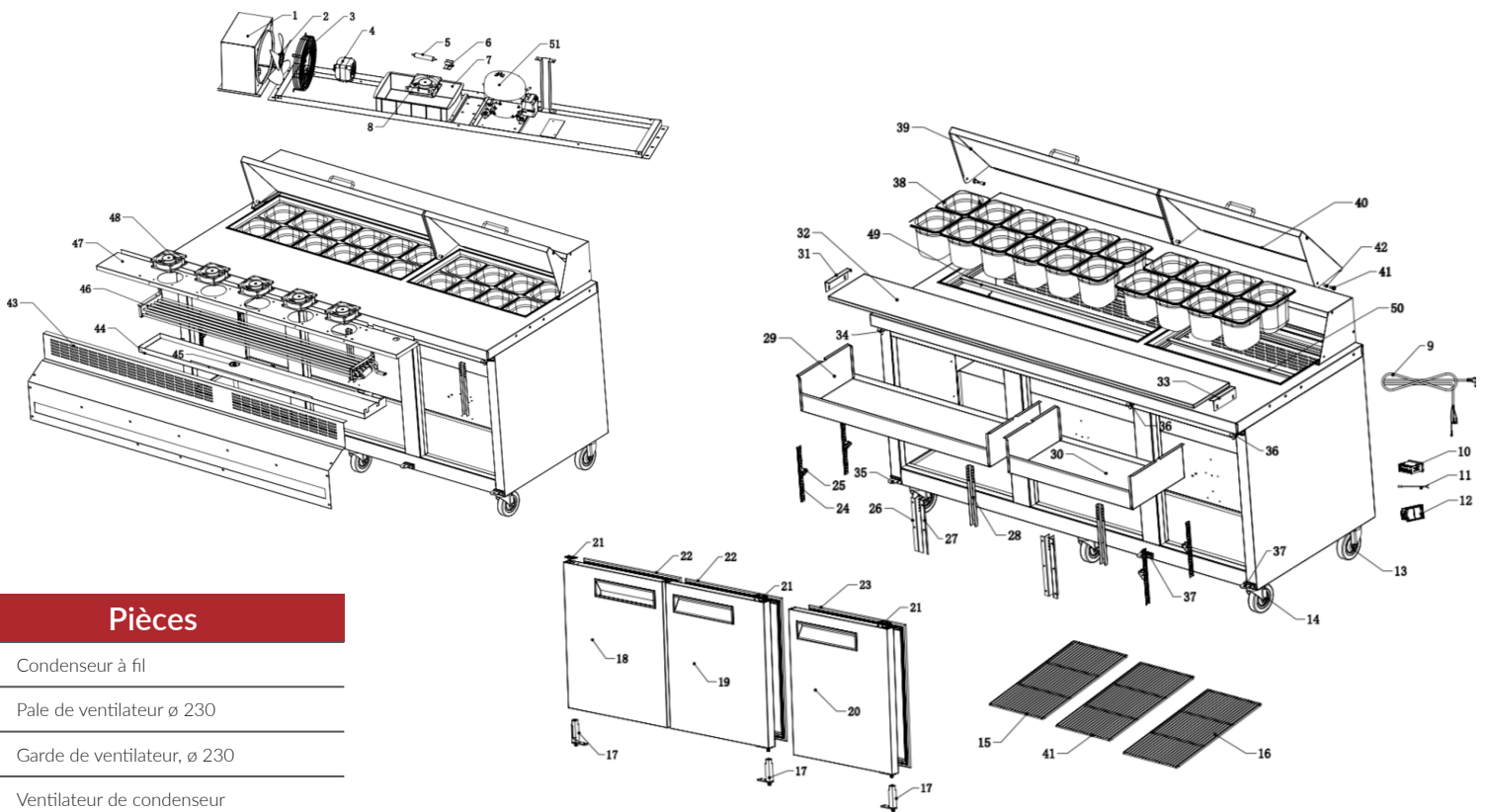
1	Condenseur à fil
2	Pale de ventilateur ø 230
3	Garde de ventilateur, ø 230
4	Ventilateur de condenseur
5	Filtre
6	Base de filtre
7	Bac de récupération externe
8	Ventilateur pour bac de récupération externe
9	Cordon électrique, NEMA5-15P
10	Contrôle digital
11	Sonde de température
12	Boîte de jonction, ET0301G
13	Roues 5" sans frein
14	Roues 5" avec frein
15	Tablette en pvc gris

Pièces

15	Tablette en pvc gris
16	Charnière à fermeture automatique
17	Isolation de porte droite
18	Isolation de porte gauche
19	Joint d'étanchéité de porte
20	Guide d'axe
21	Tube de drainage
22	Bac de récupération interne
23	K strip, 2 trous
24	Clap en acier inoxydable
25	K strip de barre de soutien du milieu gauche
26	K strip de barre de soutien du milieu droit
27	K strip, arrière
28	Rainure de disque
29	Couvert pour composants d'évaporateur
30	Évaporateur
31	Support à ventilateur
32	Ventilateur d'évaporateur
33	Bloc fixe gauche pour planche à découper
34	Planche à découper
35	Bloc fixe droit pour planche à découper
36	Penture du haut, côté gauche
37	Penture du bas, côté gauche
38	Penture du haut, côté droit
39	Penture du bas, côté droit
40	Récipient GN 1/6, H150, avec couvercle
41	Support à récipient GN
42	Couvercle gauche
43	Couvercle droit
44	Goupille de couvercle
45	Tube pour couvercle
46	Compresseur

SCHÉMAS DES PIÈCES

NPT-72-SA/-MSA

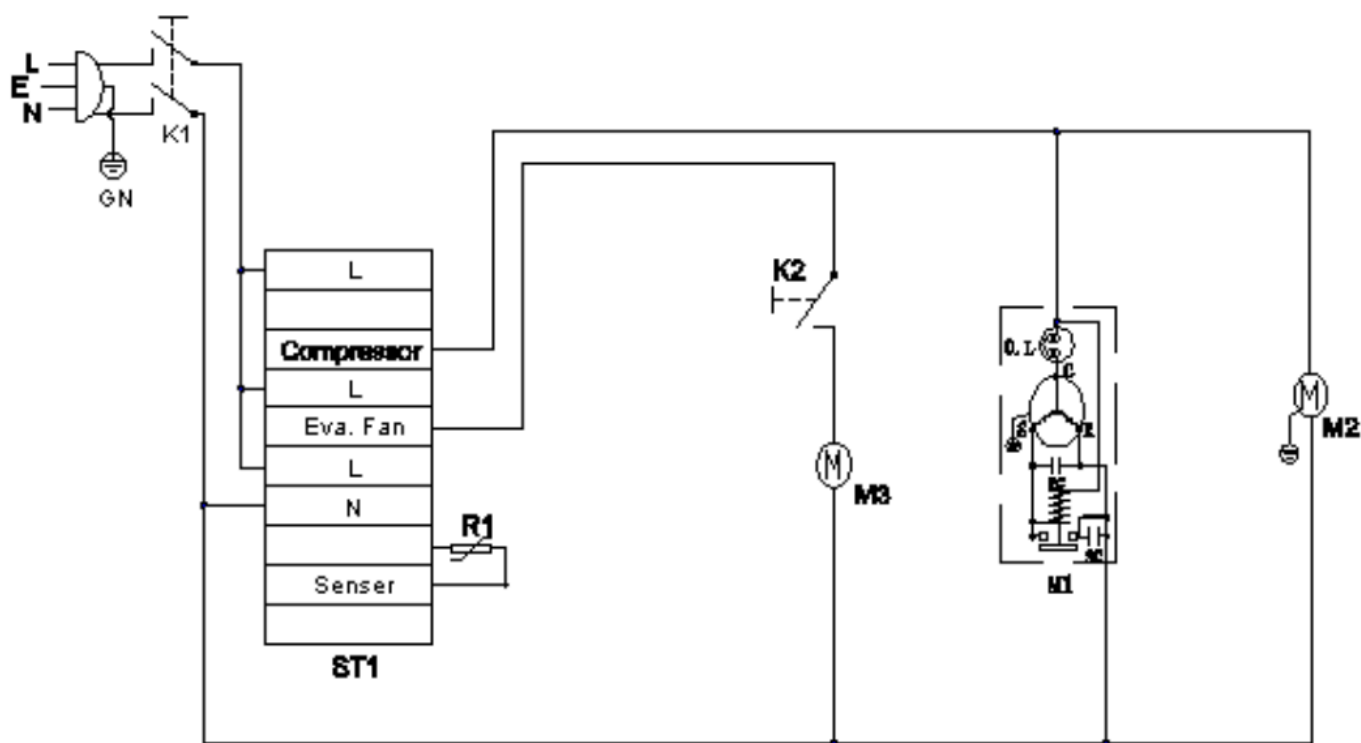


Pièces

1	Condenseur à fil	17	Charnière à fermeture automatique	28	K strip, arrière	40	Couvercle droit
2	Pale de ventilateur ø 230	18	Isolation de porte gauche	29	Rainure de disque gauche	41	Tablette droite en pvc gris
3	Garde de ventilateur, ø 230	19	Isolation de porte milieu	30	Rainure de disque droit	42	Goupille de couvercle
4	Ventilateur de condenseur	20	Isolation de porte droite	31	Bloc fixe gauche pour planche à découper	43	Tube pour couvercle
5	Filtre	21	Guide d'axe	32	Planche à découper	44	Bac de récupération interne
6	Base de filtre	22	Joint d'étanchéité de porte, gauche/milieu	33	Bloc fixe droit pour planche à découper	45	Drain
7	Bac de récupération externe	23	Joint d'étanchéité de porte droite	34	Penture du haut, côté gauche	46	Evaporateur
8	Ventilateur pour récipient à eau externe	24	K strip, 2 trous	35	Penture du bas, côté gauche	47	Support à ventilateur
9	Cordon électrique, NEMA5-15P	25	Clap en acier inoxydable	36	Penture du haut, côté droit	48	Ventilateur d'évaporateur
10	Contrôle digital	26	K strip de barre de soutien du milieu gauche	37	Penture du bas, côté droit	49	Support à récipients GN
11	Sonde de température	27	K strip de barre de soutien du milieu droit	38	Récipient GN 1/6, H150, avec couvercle	50	Support à récipients GN
12	Boîte de jonction, ET0301G			39	Couvercle gauche	51	Compresseur
13	Roues 5" sans frein						
14	Roues 5" avec frein						
15	Tablette gauche en pvc gris						
16	Tablette droite en pvc gris						

SCHÉMAS ÉLECTRIQUES

SCHÉMAS



Composants électriques

K1	Interrupteur	K2	Interrupteur de porte	R1	Sonde de chambre froide
M1	Compresseur	M2	Ventilateur de condensation	M3	Ventilateur d'évaporation
ST1	Contrôle digital				

GARANTIE

GARANTIE DES PIÈCES ET DE LA MAIN D'OEUVRE

NEW AIR garantit à l'acheteur original de chaque unité NEW AIR, de l'unité et de toutes ses pièces, d'être exempte de défauts de matériaux ou de fabrication, dans le cadre d'une utilisation et d'un service d'entretien normaux et appropriés, tels que spécifiés par NEW AIR et lors d'une installation et d'un démarrage corrects, conformément au guide d'instructions fourni avec chaque unité NEW AIR.

L'obligation de NEW AIR en vertu de cette garantie est limitée à une période de 3 ans à compter de la date d'installation d'origine OU 39 mois après la date d'expédition de NEW AIR, selon la première éventualité.

Toutes les pièces couvertes par cette garantie qui sont déterminées par NEW AIR comme étant défectueuses sont limitées à la réparation ou au remplacement, y compris les frais de main-d'œuvre, des pièces ou des assemblages défectueux. La garantie de main-d'œuvre ne comprend que les frais de main-d'œuvre standard, tels que déterminés par NEW AIR.

RÉCLAMATIONS DE GARANTIE

Toutes les réclamations pour la main-d'œuvre ou les pièces doivent être faites directement via NEW AIR et doivent avoir un numéro d'autorisation. Toutes les réclamations doivent inclure : le numéro de modèle de l'unité, le numéro de série de l'unité, la preuve d'achat, la date d'installation et toutes les informations pertinentes à l'appui de l'existence du défaut présumé. En cas de compresseur sous garantie, l'étiquette du compresseur doit être retournée à NEW AIR avec les informations énumérées ci-dessus.

GARANTIE COMPRESSEUR

En plus des garanties énoncées ci-dessus, NEW AIR garantit que son compresseur hermétiquement et semi hermétiquement scellé est exempt de défauts de matériel et de fabrication dans des conditions normales et appropriées d'utilisation et de maintenance pour une période de 2 années supplémentaires à compter de la date d'achat d'origine mais ne doit pas dépasser 5 ans et 3 mois après expédition par le fabricant.

CE QUI N'EST PAS COUVERT PAR CETTE GARANTIE

La seule obligation de NEW AIR en vertu de cette garantie est limitée à la réparation ou au remplacement de pièces, sous réserve des limitations supplémentaires ci-dessous. Cette garantie n'assume ni n'autorise personne à assumer des obligations autres que celles expressément couvertes par cette garantie.

AUCUN DOMMAGE CORRÉLATIF. NEW AIR n'est pas responsable des pertes économiques ; perte de profit; ou des dommages spéciaux, indirects ou corrélatifs, y compris, sans limitation, les pertes ou dommages résultant de la détérioration des aliments ou des produits, qu'ils soient ou non dus à une panne de réfrigération.

La garantie n'est pas transférable. Cette garantie n'est pas cessible et s'applique uniquement en faveur de l'acheteur / utilisateur d'origine à qui la livraison a été effectuée. Une telle cession ou un tel transfert annulera les garanties ci-incluses et annulera toutes les garanties, expresses ou implicites, y compris toute garantie de qualité marchande ou d'adéquation à un usage particulier.

Tout temps de déplacement, temps d'attente sur site, temps d'attente en raison de retards d'accès au site, de congé férié ou de frais de main-d'œuvre supplémentaires, ne sont pas couverts par cette garantie. La relocalisation d'une unité pour réparation ou remplacement n'est pas couverte.

Utilisation incorrecte : NEW AIR n'assume aucune responsabilité pour les pièces ou la couverture de main-d'œuvre en cas de défaillance d'un composant ou d'autres dommages résultant d'une utilisation ou d'une installation incorrecte ou de l'échec du nettoyage et / ou de l'entretien du produit, comme indiqué dans le paquet de garantie fourni avec l'unité.

Applications résidentielles: NEW AIR n'assume aucune responsabilité pour les pièces ou la main-d'œuvre en cas de défaillance des composants ou d'autres dommages résultant de l'installation dans des applications non commerciales ou résidentielles. Altération, négligence, abus, mauvaise utilisation, accident, dommages pendant le transport ou l'installation, incendie, inondation, cas de force majeure:

NEW AIR n'est pas responsable de la réparation ou du remplacement des pièces qui, selon NEW AIR, ont été soumises après la date de fabrication à altération, négligence, abus, mauvaise utilisation, accident, dommages pendant le transport ou l'installation, incendie, inondation ou catastrophe naturelle.

Connexions électriques incorrectes: NEW AIR n'est pas responsable de la réparation ou du remplacement des composants défectueux ou endommagés résultant d'une panne de courant électrique, de l'utilisation de rallonges, d'une basse tension ou de chutes de tension de l'appareil.

Aucune garantie implicite de qualité marchande ou d'adéquation à un usage particulier: Il n'y a aucune autre garantie, expresse, implicite ou statutaire, à l'exception de la garantie pièces et main-d'œuvre. Il n'y a aucune garantie qui va au-delà de la description au recto des présentes.

Cette garantie s'applique aux unités vendues au Canada seulement et toute couverture de garantie sera nulle pour toutes les unités expédiées à l'extérieur du Canada.

ENREGISTREMENT DE LA GARANTIE

Pour enregistrer votre unité avec Réfrigération New Air, veuillez fournir les informations suivantes soit par courriel au service@distex.ca ou via le site web de www.newairrefrigeration.ca

CARTE D'ENREGISTREMENT DE GARANTIE

NUMÉRO DE MODÈLE: _____	DATE D'ACHAT: _____
NUMÉRO DE SÉRIE: _____	
NOM DU RESTAURANT : _____	
ADRESSE: _____	
NOM DU PROPRIÉTAIRE: _____	
ADRESSE COURRIEL: _____	
NUMÉRO DE TÉLÉPHONE: _____	