



Your Commercial Equipment Solution
Votre solution d'équipement commercial

Product Manual / Manuel de produit



Stainless Steel Freezers /
Congélateurs en acier inoxydable

Models / Modèles : NSF-050-H | NSF-115-H

TABLE OF CONTENTS

TABLE DES MATIÈRES

MODELS / MODÈLES

NSF-050-H | NSF-115-H

CONTENTS / MATIÈRES

English		Français	
Important Information	pg. 3	Informations importantes	pg. 16
Warnings	pg. 4	Avertissements	pg. 17
Technical Specifications	pg. 5	Spécifications techniques	pg. 18
Installation & Operation	pg. 7	Installation et utilisation	pg. 20
Control Board Instructions	pg. 9	Réglage du thermostat	pg. 22
Maintenance	pg. 10	Entretien	pg. 23
Troubleshooting	pg. 11	Dépannage	pg. 24
Parts Breakdown	pg. 12	Schémas des pièces	pg. 25
Warranty	pg. 14	Garantie	pg. 27
Warranty Registration	pg. 15	Enregistrement de la garantie	pg. 28

IMPORTANT INFORMATION

DISCLAIMER

Please read this manual carefully before installing and operating the refrigerator. Keep this manual handy for further reference.

The NSF series equipment is intended for use in spaces where the environmental conditions are controlled and maintained such that the ambient temperature typically does not exceed 86°F (30°C) and 65% relative humidity.

GENERAL INFORMATION

Start up: Before operating your unit, please be sure that all casters are properly installed. The unit must be level after it is positioned in its permanent location. This ensures proper door alignment on all cabinet, adequate condensate water drainage, and proper overall refrigeration system operation. Electrical power to the unit is generated immediately after plugging the power cord into an adequate outlet.

Transportation: Please strap (or secure) the unit and avoid significant vibration during transportation; do not incline the unit more than 45°. Do not move the unit frequently while in use.

Storage: Properly place food into the cabinet in order to avoid damages to the drawer and sides. In order to avoid bad smell or taste, keep space between each product and do not store the foods too long.

WARNINGS

1. Leave a minimum of 4" of clearance between the wall and the unit; do not place the unit up against a wall to block the air flow.
2. Ensure you remove all of the packaging from the unit. Do not forget the bottom of the unit as the model radiates heat and could start a fire over time.
3. Do not store flammable and volatile chemicals inside the unit as this could lead to an explosion.
4. Use a dedicated single-phase grounded electrical outlet for this unit.
5. CAUTION - Do not connect grounding wire to a water or gas pipe.
6. Please strap (or secure) the unit and avoid significant vibration during transportation; do not incline the unit more than 45°. Do not move the unit frequently while in use.
7. Please refer to the Troubleshooting guide if the unit has an issue. Do not attempt to resolve the problem on your own. Please contact New Air Refrigeration's Service Department for assistance.
8. DANGER - Risk of fire or explosion. Flammable refrigerant used. Do not use mechanical devices to defrost refrigerator. Do not puncture refrigerant tubing.
9. DANGER - Risk of fire or explosion. Flammable refrigerant used. To be repaired only by trained service personnel. Do not puncture refrigerant tubing.
10. CAUTION - Risk of fire or explosion. Flammable refrigerant used. Consult repair manual/owner's guide before attempting to service this product. All safety precautions must be followed.
11. CAUTION - Risk of fire or explosion. Dispose of properly in accordance with federal or local regulations. Flammable refrigerant used.
12. CAUTION - Risk of fire or explosion due to puncture of refrigerant tubing; follow handling instructions carefully. Flammable refrigerant used.
13. CAUTION - Keep clear of obstruction all ventilation openings in the appliance enclosure or in the structure for building-in.
14. CAUTION - Servicing shall be done by factory authorized service personnel, so as to minimize the risk of possible ignition due to incorrect parts or improper service.
15. CAUTION -flammable refrigerant used! When handling, moving and use of the refrigerator, make sure to avoid either damaging the refrigerant tubing, or increasing the risk of a leak.

TECHNICAL SPECIFICATIONS



FEATURES



Temperature range (°C): (-18) - (-22)



Stainless steel interior and exterior



Adjustable heavy duty shelves



Bottom mounted compressor



Natural refrigerant promotes faster cool down and efficient energy consumption



Easy to clean due to rounded corner design



504-1154 L Capacity / 18-41 Cubic Ft.



Adjustable temperature set point

TECHNICAL SPECIFICATIONS

SPECIFICATIONS

Model Number	NSF-050-H	NSF-115-H
Capacity (Cubic Feet)	18	41
Capacity (Litres)	504	1154
Exterior Unit Dimensions (in) (W x D x H)	27.5" x 32.5" x 82"	54.5" x 32.5" x 82"
Exterior Unit Dimensions (cm) (W x D x H)	70 x 82.5 x 208	138.5 x 82.5 x 208
Net Weight	253lbs (115kg)	463 lbs (210 kg)
Gross Weight	286lbs (130kg)	505 lbs (229 kg)
Type of Defrost	Automatic	Automatic
Swivel Casters	Yes (2 with brakes)	Yes (2 with brakes)
Adjustable Shelves	4	8
Voltage	115V/60Hz	115V/60Hz
Input Power	750W	1250 W
Amperes	9.5	14.0
Temperature	(-18) - (-22)°C	(-18) - (-22)°C
Refrigerant (CFC-Free)	R290	R290
Compressor	1/2 HP	1 1/3 HP
Plug Type	Nema 5-15P	Nema 5-20P

Warranty

3 years parts and labour,
2 additional years on the compressor

INSTALLATION & OPERATION

INSTALLATION

Unit Placement Guidelines

Install the unit on a strong and leveled surface.

- The unit may be noisy if the surface is uneven.
- The unit may malfunction if the surface is uneven.

Install the unit in a well-ventilated indoor area.

- The unit performs more efficiently in a well-ventilated indoor area.
- For best performance, please maintain a clearance of 3” at the back of the unit.
- Outdoor use may cause decreased efficiency and damage to the unit.

Avoid installation in a high humidity and/or dusty area.

- Humidity could cause the unit to rust and can decrease efficiency of the unit.
- Dust collected on the condenser coil will cause the unit to malfunction.

Clean the condenser at least once a month with a brush or clean cloth.

- A malfunction due to dirty a condenser will void the warranty.

Select a location away from heat and moisture-generating equipment.

- High ambient temperatures will cause the compressor to overwork, leading to higher energy bills and gradual breakdown of the unit
- A malfunction due to a high ambient temperature will void the warranty.

INSTALLATION & OPERATION

OPERATION

After unpacking, check the cabinet for any damage caused during transportation. In the event of damage, please contact the freight company immediately.

Allow the freezer to stand upright for at least 24 hours (depending on how the unit was transported) prior to connection to the main electrical supply. This gives the oil time to run back to the compressor after transit and installation.

Always ensure that your freezer is installed on level floor.

Main connection: If the main cord supplied is not long enough, do not use an extension cord. Ask a technician to install a socket near the freezer.

Ensure that there is enough space between the back side of the freezer and the wall, and that nothing is placed on top of the freezer. Allow a minimum gap of 100mm at the rear and 50mm at the sides of the cooler.

Connection to the main supply

Connect the freezer to a 115 Volts, 60Hz power supply on a min 15A fused & grounded socket. Do not use extension cables. If the power cord is not long enough, ask an authorized electrician to replace it with a longer one, or to install a socket near the freezer.

Do not compress the main cable.

General user information

The thermostat is located on the inside of the freezer. The thermostat is factory set to approx. -18 to -13°C. The suggested differential is 5 degrees. If the range is less than 5°C, the compressor will continuously run, therefore will break more easily. If the temperature settings have been modified to settings other than those recommended by the manufacturer, the warranty will be voided.

CONTROL BOARD INSTRUCTIONS

TEMPERATURE SETTINGS ---

How to change the temperature settings



(1) To change temperature set point: Press & hold "SET" for 2 seconds until a flashing number appears in display, then release "SET".

(2) The flashing number is the present temperature set point. Press "UP" or "DOWN" arrows to the desired temperature set point.

For further assistance, please contact our Service Department at 1.800.567.3620 #116 or email us at service@distex.ca

MAINTENANCE

CLEANING

*** Ensure the unit is unplugged before cleaning the unit ***

Cleaning the condenser coil

For efficient operation, it is important that the condenser surface be kept free of dust, dirt, and lint. New Air recommends cleaning the condenser coil and fins at least once per month. Clean with a commercial condenser coil brush, available from any kitchen equipment retailer. Brush the condenser fins from top to bottom, not side to side. After cleaning, straighten any bent condenser fins with a fine comb.

Cleaning the fan blades and motor

If necessary, clean the fan blades and motor with a soft cloth. If it is necessary to wash the fan blades, cover the fan motor to prevent moisture damage.

Cleaning the interior of unit

When cleaning the cabinet interior, use warm water and mild soap. Do not use steel wool, caustic soap, abrasive cleaners, or bleach that may damage the stainless steel surface.

Cleaning the back panel:

1. Take down the setscrews of back panel one by one manually, and then take down the back panel.
2. Clean the backboard behind the panel by scour, pay attention to keep the safety of the heat preservation material covered by the cupreous tube, clean the parts around the motherboard holes, clean the back of the panel, dry the cleaning parts with a soft cloth.
3. Fix the back panel on the cabinet after cleaning. Wash door gaskets on a regular basis, preferably weekly. Simply remove door gasket from the frame of the door, soak in warm water and soap for thirty (30) minutes, dry with soft cloth, and replace. Check door gaskets for proper seal after they are replaced.

WARNING: Disconnect power cord before cleaning any parts of the unit.

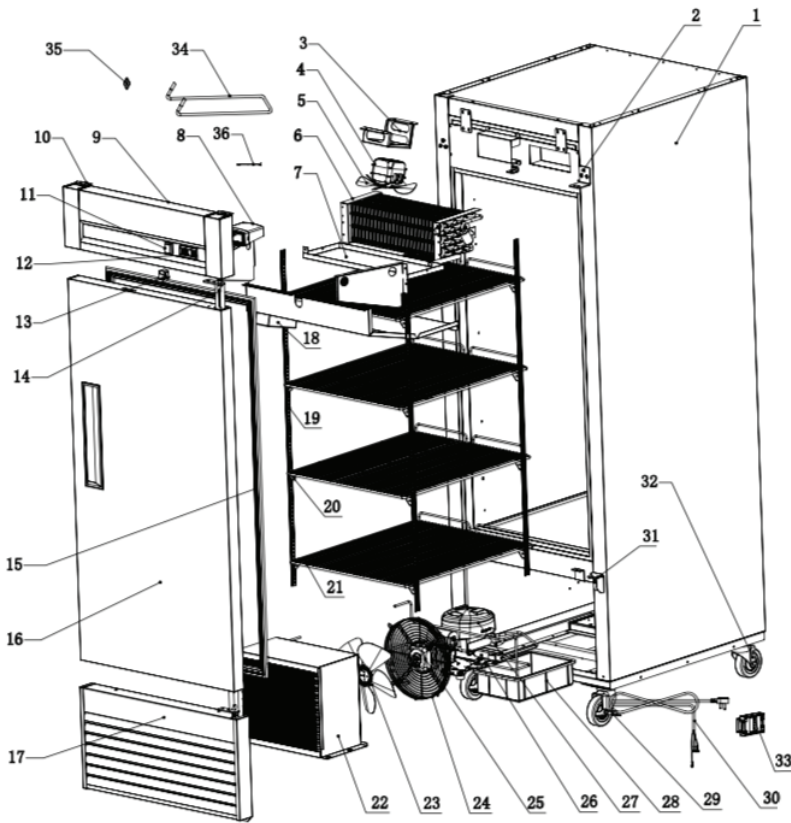
TROUBLESHOOTING

Before requesting any service on your unit, please check the following points. Please note that this guide serves only as a reference for solutions to common problems. Please ask qualified personnel to service.

Fault	Causes	Solution
No power/ unit not running	The main power switch is turned OFF	Turn main power switch to ON position
	No power in the outlet socket	Verify if breaker tripped, verify outlet socket
	Poor contact between plug and socket	Verify and repair plug or socket
	Power cord unplugged	Plug in power cord
High temperature inside cabinet	Thermostat set too high	Set thermostat to lower temperature
	Cabinet is in defrost cycle	Wait for defrost cycle to finish
	Door not properly closed	Close door properly, verify for gasket damages.
	Dirty condensing coil	Verify and clean condenser
	Condensing fans not working	Verify condenser fan is plugged properly and not damaged
	Equipment is near an heat source	Move equipment from heat source to allow proper air flow.
	Evaporator coil is iced over	Unplug and empty unit. Leave door open to allow evaporator coil to defrost.
	Too much goods inside unit	Remove some goods to allow proper air flow.
Inside cabinet water leak	Improper air circulation	Ensure proper air circulation surrounding the unit
	Unit not properly leveled	Verify and level unit left to right and front to back
	Drain not properly attached	Verify and properly attach drain hose
Outside cabinet water leak	Drain frozen	Unplug and empty unit. Leave door open to allow drain hose to defrost.
	Condensation due to humidity level to high	Clean surface, if possible, find way to reduce humidity level surrounding the unit
	Condensation water tray overflowing	Locate and empty condensation water tray
Noisy unit	Water leaking outside condensation water tray	Locate and ensure drain hose is going inside the condensation water tray
	Cabinet is not placed on stable surface	Ensure cabinet is located on leveled and stable surface
Compressor not working	Loose parts and screws	Locate and tighten loose parts and screws
	Temperature setting on controller is too high	Lower temperature setting on controller
	Too low voltage	Verify power outlet has the proper voltage to operate unit
	Controller wiring not properly connected	Verify wiring at back of controller

PARTS BREAKDOWN

NSF-050-H



Parts

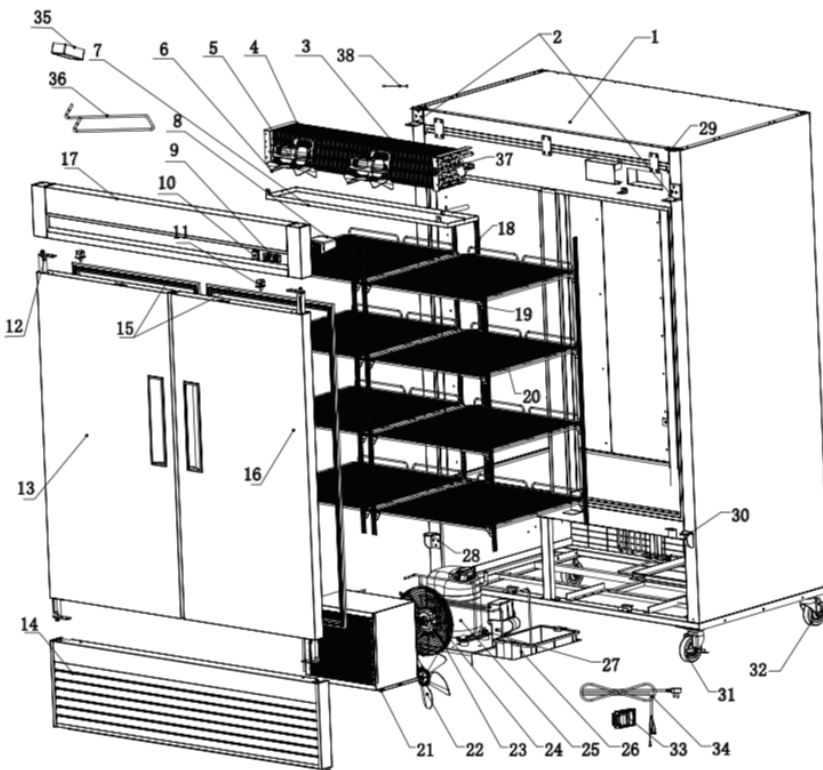
9	Control panel
10	Hinges for control panel
11	Power switch
12	Controller
13	Door lamp switch
14	Self-close hinge
15	Door gasket
16	Right door
17	Louver
18	Inner lamp assembly
19	K strip
20	Stainless K-clap
21	Shelf
22	Condenser
23	Fan blade
24	Condenser fan guard grill
25	Condenser fan
26	Filter
27	Compressor
28	Outer water pan
29	Castor wheel, with brake
30	Power cord set, NEMA5-15P
31	Hinge, lower right
32	Castor wheel without brake
33	Junction box
34	Defrosting Heater
35	Overheat safety thermostat
36	Temperature sensor

Parts

1	Electric Box
2	Hinge, upper
3	Evaporator fan bracket
4	Evaporator fan
5	Fan blade
6	Evaporator
7	Inner water pan
8	Waterproof box for thermostat

PARTS BREAKDOWN

NSF-115-H



Parts

1	Electric Box
2	Hinge, upper
3	Evaporator
4	Evaporator fan bracket
5	Evaporator fan
6	Fan blade
7	Inner water pan
8	Waterproof box for thermostat
9	Controller
10	Power switch

Parts

11	Light Switch
12	Self-close hinge
13	Left Door
14	Bottom Grill
15	Door gasket
16	Right Door
17	Control panel
18	K strip
19	K-clap
20	Shelf
21	Condenser
22	Fan blade
23	Condenser fan motor
24	Condenser fan
25	Compressor
26	External water tray
27	Filter
28	Lower left hinge
29	Hinges for control panel
30	Lower right hinge
31	Castor wheel, with brake
32	Castor wheel without brake
33	Junction box
34	Power cord set, NEMA5-15P
35	Inner lamp assembly
36	Defrosting Heater
37	Overheat safety thermostat
38	Temperature sensor

WARRANTY

NEW AIR warrants to the original purchaser of every NEW AIR unit, the cabinet and all parts thereof, to be free from defects in material or workmanship, under normal and proper use and maintenance service as specified by NEW AIR and upon proper installation and start-up in accordance with the instruction packet supplied with each NEW AIR unit. NEW AIR obligation under this warranty is limited to a period of 3 years from the date of original installation or 39 months after shipment date from NEW AIR, whichever occurs first.

Any parts covered under this warranty that are determined by NEW AIR to have been defective is limited to the repair or replacement, including labour charges, of defective parts or assemblies. The labour warranty shall include standard straight time labour charges only, as determined by NEW AIR.

WARRANTY CLAIMS

All claims for labour or parts must be made directly through NEW AIR and must have an authorization number. All claims should include: model number of the unit, the serial number of the cabinet, proof of purchase, date of installation, and all pertinent information supporting the existence of the alleged defect. In case of warranty compressor, the compressor tag must be returned to NEW AIR along with above listed information.

COMPRESSOR WARRANTY

In addition to the warranties stated above, NEW AIR warrants his hermetically and semi hermetically sealed compressor to be free from defects in both material and workmanship under normal and proper usage and maintenance service for a period of 2 additional years from the date of original purchase but not to exceed 5 years and 3 months after shipment from the manufacturer.

WHAT IS NOT COVERED BY THIS WARRANTY

NEW AIR's sole obligation under this warranty is limited to either the repair or replacement of parts, subject to the additional limitations below. This warranty neither assumes nor authorizes any person to assume obligations other than those expressly covered by this warranty.

NO CONSEQUENTIAL DAMAGES. NEW AIR is not responsible for economic loss; profit loss; or special, indirect, or consequential damages, including without limitation, losses or damages arising from food or product spoilage claims whether or not account of refrigeration failure. Warranty is not transferable. This warranty is not assignable and applies only in favour of the original purchaser/user to whom delivered. Any such assignment or transfer shall void the warranties herein made and shall void all warranties, express or implied, including any warranty of merchantability or fitness for a particular purpose.

Any travelling time, on-site waiting time, waiting time due to site access delays, holiday or overtime labour charges, are not covered by this warranty. The relocation of a unit for repair or replacement is not covered.

Improper usage: NEW AIR assumes no liability for parts or labour coverage for component failure or other damages resulting from improper usage or installation or failure to clean and/or maintain product as set forth in the warranty packet provided with the unit.

Residential applications: NEW AIR assumes no liability for parts or labour coverage for component failure or other damages resulting from installation in non-commercial or residential applications.

Alteration, neglect, abuse, misuse, accident, damage during transit or installation, fire, flood, acts of god: NEW AIR is not responsible for the repair or replacement of any parts that NEW AIR determines have been subjected after the date of manufacture to alteration, neglect, abuse, misuse, accident, damage during transit or installation, fire, flood, or act of god.

Improper electrical connections: NEW AIR is not responsible for the repair or replacement of failed or damaged components resulting from electrical power failure, the use of extension cords, low voltage, or voltage drops to the unit.

No implied warranty of merchantability or fitness for a particular purpose: There are no any other warranties, expressed, implied or statutory, except the parts & labour warranty. There are no warranties which extend beyond the description on the face hereof.

This warranty applies to units sold in Canada only and all warranty coverage will be void for all units shipped outside of Canada.

WARRANTY REGISTRATION

To register your unit with New Air Refrigeration, simply provide the following information by email to service@distex.ca or via the New Air website www.newairrefrigeration.ca

WARRANTY REGISTRATION CARD

MODEL NUMBER: _____ DATE OF PURCHASE: _____

SERIAL NUMBER: _____

RESTAURANT NAME: _____

ADDRESS: _____

OWNER NAME: _____

EMAIL ADDRESS: _____

TELEPHONE NUMBER: _____

INFORMATIONS IMPORTANTES

IMPORTANT

Veuillez lire attentivement ce manuel avant d'installer et d'utiliser le congélateur. Gardez ce manuel à portée de main pour référence ultérieure.

L'équipement de la série NSF est destiné à être utilisé dans des pièces où les conditions environnementales sont contrôlées et maintenues de telle sorte que la température ambiante ne dépasse généralement pas 86 ° F (30 ° C) et une humidité relative de 65%.

USAGE

Démarrage: avant d'utiliser votre appareil, assurez-vous que toutes les roulettes sont correctement installées. L'unité doit être de niveau après avoir été positionnée dans son emplacement permanent. Cela garantit un alignement correct des portes sur toutes les armoires, une évacuation adéquate de l'eau de condensation et un bon fonctionnement global du système de réfrigération. L'alimentation électrique de l'unité est générée immédiatement après avoir branché le cordon d'alimentation dans une prise adéquate.

Transport: veuillez attacher (ou sécuriser) l'unité et éviter les vibrations importantes pendant le transport; n'inclinez pas l'appareil à plus de 45 °. Ne déplacez pas l'appareil fréquemment pendant son utilisation.

Stockage: placez correctement les aliments dans l'unité afin d'éviter d'endommager la porte et les côtés. Afin d'éviter une mauvaise odeur ou un mauvais goût, gardez un espace entre chaque produit et ne stockez pas les aliments trop longtemps.

AVERTISSEMENTS

1. Laissez un minimum de 4" de dégagement entre le mur et l'unité; ne placez pas l'unité contre un mur pour bloquer la circulation d'air.
2. Assurez-vous de retirer tout l'emballage de l'unité. N'oubliez pas le bas de l'appareil car le modèle dégage de la chaleur et pourrait provoquer un incendie avec le temps.
3. Ne stockez pas de produits chimiques inflammables et volatils à l'intérieur de l'appareil car cela pourrait provoquer une explosion.
4. Utilisez une prise électrique monophasée mise à la terre dédiée pour cet appareil.
5. CAUTION - Ne connectez pas le fil de mise à la terre à un tuyau d'eau ou de gaz.
6. Veuillez attacher (ou sécuriser) l'unité et éviter les vibrations importantes pendant le transport; n'inclinez pas l'appareil à plus de 45 °. Ne déplacez pas l'appareil fréquemment pendant son utilisation.
7. Veuillez consulter le guide de dépannage si l'appareil a un problème. N'essayez pas de résoudre le problème par vous-même. Veuillez contacter le service après-vente de New Air Refrigeration pour obtenir de l'aide.
8. DANGER - Risque d'incendie ou d'explosion. Réfrigérant inflammable utilisé. N'utilisez pas d'appareils mécaniques pour dégivrer le réfrigérateur. Ne percez pas la tubulure de réfrigérant.
9. DANGER - Risque d'incendie ou d'explosion. Réfrigérant inflammable utilisé. À réparer uniquement par un personnel de service qualifié. Ne percez pas la tubulure de réfrigérant.
10. CAUTION - Risque d'incendie ou d'explosion. Réfrigérant inflammable utilisé. Consultez le manuel de réparation / le guide du propriétaire avant de tenter de réparer ce produit. Toutes les précautions de sécurité doivent être suivies.
11. CAUTION - Risque d'incendie ou d'explosion. Éliminez-le correctement conformément aux réglementations fédérales ou locales. Réfrigérant inflammable utilisé.
12. CAUTION - Risque d'incendie ou d'explosion dû à la perforation de la tubulure de réfrigérant; suivez attentivement les instructions de manipulation. Réfrigérant inflammable utilisé.
13. CAUTION - Gardez à l'écart de toute obstruction toutes les ouvertures de ventilation dans l'enceinte de l'appareil ou dans la structure à encaster.
14. CAUTION -l'entretien doit être effectué par le personnel de service autorisé de l'usine, afin de minimiser le risque d'inflammation possible en raison de pièces incorrectes ou d'un entretien inapproprié.
15. CAUTION -réfrigérant inflammable utilisé! Lors de la manipulation, du déplacement et de l'utilisation du réfrigérateur, assurez-vous d'éviter d'endommager la tubulure de réfrigérant ou d'augmenter le risque de fuite.

SPÉCIFICATIONS TECHNIQUES



CARACTÉRISTIQUES



Température (°C) : (-18) - (-22)



Intérieur et extérieur en acier inoxydable



Tablettes robustes ajustables



Compresseur dans le bas



Réfrigérant naturel favorise une consommation d'énergie plus rapide et plus efficace



Coins arrondis à l'intérieur pour un nettoyage plus facile



Capacité de 504-1154 L /
18-41 Pieds Cu.



Température réglable

SPÉCIFICATIONS TECHNIQUES

SPÉCIFICATIONS

Numéro de modèle	NSF-050-H	NSF-115-H
Capacité (Pieds Cu.)	18	41
Capacité (Litres)	504	1154
Dimensions extérieures (in) (W x D x H)	27.5" x 32.5" x 82"	54.5" x 32.5" x 82"
Dimensions extérieures (cm) (W x D x H)	70 x 82.5 x 208	138.5 x 82.5 x 208
Poids Net	253lbs (115kg)	463 lbs (210 kg)
Poids Total	286lbs (130kg)	505 lbs (229 kg)
Type de dégivrage	Automatique	Automatique
Roues pivotantes	Oui (2 avec frein)	Oui (2 avec frein)
Tablettes ajustables	4	8
Voltage	115V/60Hz	115V/60Hz
Puissance	750W	1250 W
Ampérage	9.5	14.0
Température	(-18) - (-22)°C	(-18) - (-22)°C
Réfrigérant (sans CFC)	R290	R290
Compresseur	1/2 HP	1 1/3 HP
Type de prise	Nema 5-15P	Nema 5-20P
Garantie	3 ans pièces et main d'œuvre 2 ans supplémentaires sur le compresseur	

INSTALLATION ET UTILISATION

INSTALLATION

Installez l'unité sur une surface stable et de niveau.

- L'unité peut être bruyante si elle n'est pas à niveau.
- L'unité peut mal fonctionner si elle n'est pas à niveau.

Installez l'unité à l'intérieur, dans un endroit bien ventilé.

- L'unité performe mieux lorsque bien ventilée.
- Pour de meilleures performances, laissez un espace de 3" derrière l'unité.
- L'utilisation à l'extérieur peut causer une perte d'efficacité et endommager l'unité.

Évitez les endroits humides et/ou poussiéreux.

- L'humidité pourrait causer de la rouille et une perte de rendement de la machine.
- La poussière accumulée sur le condenseur causera un mauvais fonctionnement de l'unité.

Nettoyez le condenseur au moins une fois par mois avec une brosse ou un chiffon propre.

- Un mauvais fonctionnement dû à un condenseur sale annulera la garantie.

Choisissez un endroit loin de la chaleur et des équipements qui génèrent de l'humidité.

- Une température ambiante élevée causera le compresseur de surcharger, endommageant graduellement la machine et causant des factures énergétiques plus élevées.
- Un mauvais fonctionnement dû à une température ambiante élevée annulera la garantie.

INSTALLATION ET UTILISATION

INSTALLATION ET UTILISATION

Introduction :

- Si l'unité a récemment été transportée veuillez la mettre de côté pour un minimum de 24 heures avant de la brancher.
 - Assurez-vous que la température de l'unité descend au niveau désiré avant de remplir celle-ci d'aliments.
 - Assurez-vous d'avoir une bonne ventilation autour de l'unité là où elle sera en fonction.
 - Assurez-vous que tous les accessoires soient installés avant de brancher l'unité.
1. Régler la température : Pesez le bouton SET pour plus de 2 secondes pour changer les paramètres de température. Les paramètres seront affichés et la lumière "°C" ou "°F" commencera à clignoter. Pour changer les réglages, pesez sur ↑ ou ↓ en dedans de 10 secondes. Pour enregistrer les réglages, pesez sur SET ou attendez 10 secondes.
 2. Contrôle de Température : Le compresseur va démarrer après un délai de 2 minutes, une fois l'unité branchée. Le compresseur démarre lorsque la température du cabinet est plus élevée de 4° que la température programmée et va arrêter si la température est plus basse ou égale à la température programmée.
 3. Transport : Évitez les vibrations lors du transport et n'inclinez pas l'unité à plus de 45 degrés, afin d'éviter des dommages. Évitez de bouger l'unité une fois en place.
 4. Entretien: Débranchez l'unité avant de la nettoyer. Nettoyez l'intérieur avec un chiffon doux. Si l'unité ne sera pas utilisée pour une longue période de temps, veuillez la débrancher et la nettoyer. Rebranchement : Veuillez inspecter le circuit électrique avant de rebrancher l'unité après un longue période d'inutilisation. Veuillez attendre 5 minutes avant de repartir l'unité après l'avoir débranchée ou si un court-circuit se produit.
 5. Dégivrage : Temps de dégivrage: Le panneau de contrôle électronique est programmé pour faire 4 cycles de dégivrage en 24 heures. Dégivrage manuel: Pesez le bouton dans le haut à droite du thermostat pour 6 secondes. L'indicateur de dégivrage va s'allumer.
ATTENTION : Ne pas utiliser d'objet pointu pour enlever de la glace.

RÉGLAGE DU THERMOSTAT

Dixell

Comment changer la température de l'unité



(1) Pour modifier le point de consigne de la température : Appuyez et maintenez « SET » pendant 2 secondes jusqu'à ce qu'un numéro clignotant apparaisse à l'écran, puis relâchez « SET ».

(2) Le chiffre clignotant est le point de consigne de température actuel. Appuyez sur les flèches "UP" ou "DOWN" jusqu'au point de consigne de température souhaité.

Pour toute assistance, veuillez contacter notre département de service au 1.800.567.3620 #116 ou par courriel au service@distex.ca

ENTRETIEN

NETTOYAGE

*** Débranchez le cordon d'alimentation avant de nettoyer l'unité. ***

Nettoyer le serpentin

Il est important que le serpentin du condenseur soit nettoyé régulièrement afin d'éviter un amas de poussière, ce qui pourrait affecter la performance de l'unité. New Air recommande de nettoyer le serpentin du condenseur au moins une fois par mois. Nettoyez avec un produit nettoyant à condenseur disponible chez les détaillants d'équipements pour cuisines commerciales. Brossez les ailes du condenseur du haut vers le bas, et non vers les côtés. Veuillez redresser les ailettes pliées avec un peigne fin une fois le nettoyage complété.

Nettoyer le moteur

Si nécessaire, nettoyez le ventilateur et son moteur avec un chiffon doux. S'il est nécessaire de laver le ventilateur, couvrez le moteur afin d'éviter des dommages causés par l'humidité.

Nettoyer l'intérieur de l'unité

Lorsque vous nettoyez l'intérieur du cabinet, utilisez de l'eau chaude et un savon doux. N'utilisez pas de laine d'acier, savon corrosif, nettoyant abrasif, ou javellisant qui pourrait endommager les surfaces en acier inoxydable.

Nettoyer le panneau arrière :

1. Retirez les vis une par une et enlevez le panneau.
2. Nettoyez le panneau avec un chiffon en faisant attention aux composants de l'unité. Bien assécher avant de replacer.
3. Lavez les joints d'étanchéité des portes sur une base régulière, préférablement à toutes les semaines. Enlevez simplement les joints de la monture de la porte, trempez-les dans l'eau tiède avec du savon pour 30 minutes, séchez avec un chiffon doux puis replacez-les. Vérifiez les joints pour un scellage adéquat après les avoir replacés

ATTENTION : Débranchez le cordon d'alimentation avant de nettoyer l'unité.

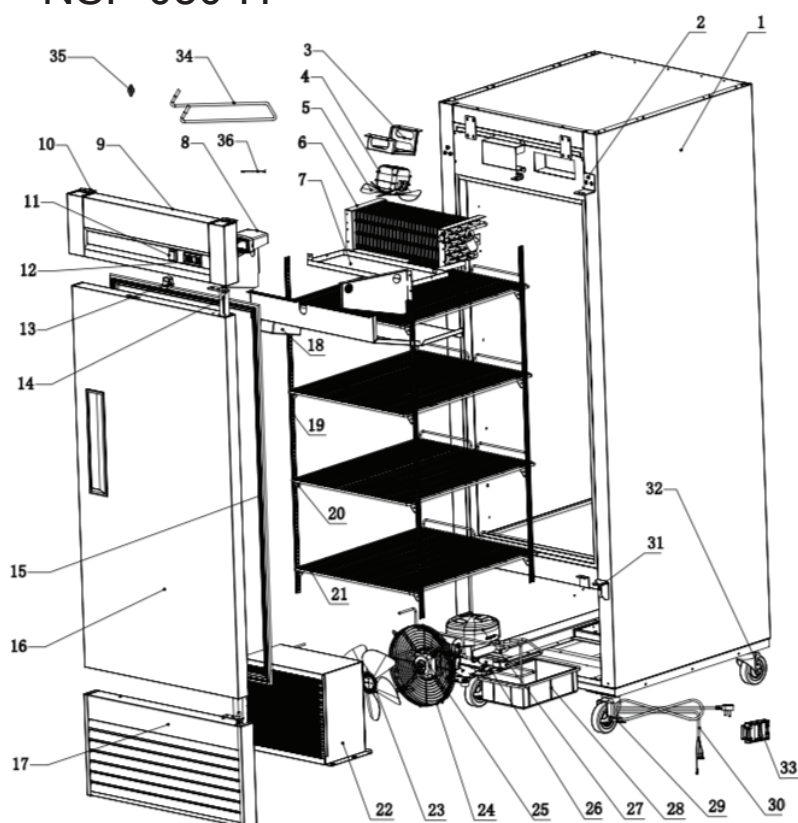
DÉPANNAGE

Avant de faire un appel de service pour votre unité, réviser les points suivants. Veuillez noter que ce guide sert seulement de référence pour des solutions aux problèmes communs. Veuillez contacter un professionnel certifié en réfrigération pour effectuer les réparations sur l'unité.

Fault	Causes	Solution
Aucun courant / unité non-fonctionnelle	L'interrupteur principal est à la position fermé	Mettre l'interrupteur en position de marche
	Aucun courant dans la prise électrique	Vérifier le disjoncteur d'alimentation
	Mauvais contact entre la prise et le cordon d'alimentation	Vérifier et réparer le cordon d'alimentation ou la prise électrique
	Le cordon d'alimentation est débranché	Rebrancher le cordon d'alimentation
Température interne trop élevée	Le contrôleur est réglé trop haut	Régler la température du contrôleur plus basse
	Le cabinet est en période de dégivrage	Attendre la fin de la période de dégivrage
	Les portes ne sont pas proprement fermées	Fermer les portes complètement et vérifier les joints d'étanchéité
	Condenseur sale	Nettoyer le condenseur
	Le moteur de fan de condenseur n'est pas fonctionnel	Vérifier si le moteur est bien branché et non endommagé
	L'équipement est trop près d'une source de chaleur	Éloigner l'équipement de la source de chaleur
	Le serpentin d'évaporateur est glacé	Vider et débrancher l'unité. Laisser les portes ouvertes afin de permettre au serpentin de déglacer
Formation d'eau à l'intérieur de l'unité	Trop de marchandises à l'intérieur de l'unité	Retirer la marchandise afin d'allouer une bonne circulation d'air
	Mauvaise circulation d'air environant l'unité	S'assurer d'une bonne circulation d'air environant l'unité
	L'unité n'est pas de niveau	Mettre l'unité de niveau de gauche à droite et devant à arrière.
Formation d'eau à l'extérieur de l'unité	Le drain n'est pas correctement connecté	Vérifier et connecter le drain proprement
	Le drain est gelé	Vider et débrancher l'unité. Laisser les portes ouvertes afin de permettre au drain de déglacer
	Condensation dû au niveau d'humidité trop élevé	Nettoyer les surfaces, si possible, trouver le moyen de réduire le niveau d'humidité environant l'unité
Unité bruyante	Le bac à eau de condensation déborde	Localiser et vider le bac à eau de condensation
	Eau coule à l'extérieur du bac à eau de condensation	Localiser le tuyau de drainage et s'assurer qu'il soit dans le bac à eau de condensation.
Compresseur non-fonctionnel	L'unité est installé sur une surface instable	Assurez-vous que l'unité soit installée sur une surface stable et de niveau
	Certaines pièces ou vises sont lousse	Repérez et serrez les composantes louses.
	Le contrôleur est réglé trop haut	Régler la température du contrôleur plus basse
Filage au contrôleur mal connecté	Voltage à l'unité trop bas	Vérifiez que la tension de la prise électrique soit adéquate pour l'équipement
		Vérifier le filage à l'arrière du contrôleur

SCHÉMAS DES PIÈCES

NSF-050-H



Pièces

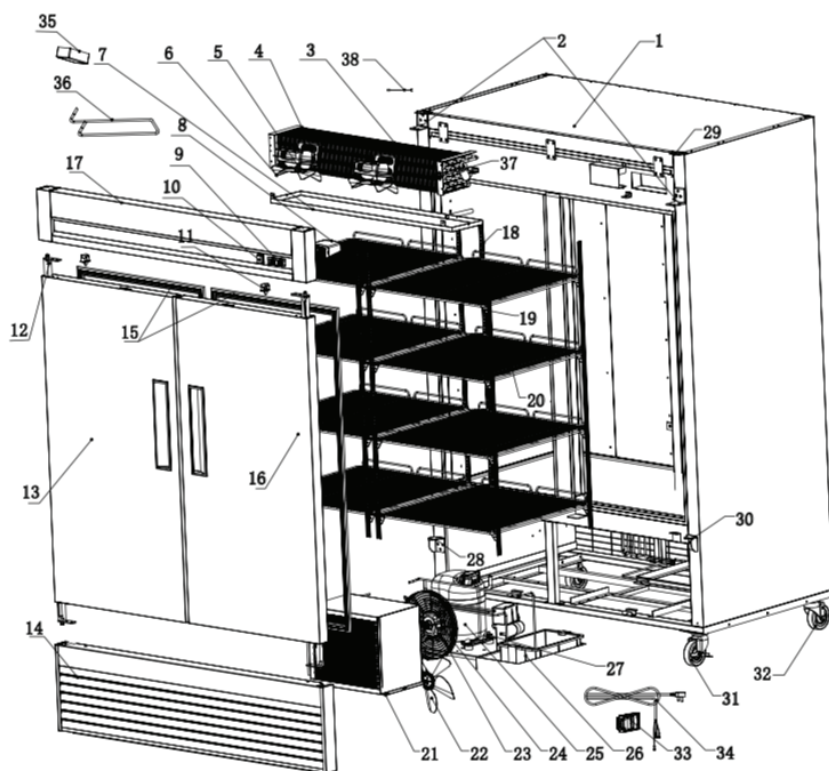
1	Boîte électrique
2	Penture du haut
3	Évaporateur
4	Support de ventilateur d'évaporateur
5	Ventilateur de l'évaporateur
6	Pale du ventilateur
7	Bac à eau intérieur
8	Boîte étanche pour thermostat
9	Contrôleur
10	Interrupteur

Pièces

9	Panneau de contrôle
10	Pentures pour panneau de contrôle
11	Interrupteur
12	Contrôleur
13	Interrupteur de lumière de porte
14	Charnière à fermeture automatique
15	Joint d'étanchéité
16	Porte droite
17	Persienne
18	Assemblage de lumière intérieure
19	K strip
20	K-clip en acier inoxydable
21	Tablette
22	Condenseur
23	Pale de ventilateur
24	Grille de protection du ventilateur
25	Ventilateur du condenseur
26	Filtre
27	Compresseur
28	Bac à eau extérieur
29	Roue avec frein
30	Cordon électrique NEMA 5-15P
31	Charnière en bas, à droite
32	Roue sans frein
33	Boîte de jonction
34	Chauffage de dégivrage
35	Thermostat de sécurité de surcharge
36	Sonde de température

SCHÉMAS DES PIÈCES

NSF-115-H



Pièces

1	Boîte électrique
2	Penture du haut
3	Évaporateur
4	Support de ventilateur d'évaporateur
5	Ventilateur de l'évaporateur
6	Pale du ventilateur
7	Bac à eau intérieur
8	Boîte étanche pour thermostat
9	Contrôleur
10	Interrupteur

Pièces

11	Interrupteur de lumière de porte
12	Charnière a fermeture automatique
13	Porte gauche
14	Grille du bas
15	Joint d'étanchéité
16	Porte droite
17	Panneau de controle
18	K strip
19	K-clip en acier inoxydable
20	Tablette
21	Condenseur
22	Pale de ventilateur
23	Moteur de ventilateur de condenseur
24	Ventilateur de condenseur
25	Compresseur
26	Bac à eau externe
27	Filtre
28	Charnière du bas, à gauche
29	Charnières pour panneau de contrôle
30	Charnière du bas, à droite
31	Roue avec frein
32	Roue sans frein
33	Boîte de jonction
34	Cordon électrique NEMA 5-15P
35	Assemblage de lumière intérieure
36	Chauffage de dégivrage
37	Thermostat de sécurité de surcharge
38	Sonde de température

GARANTIE

NEW AIR garantit à l'acheteur original de chaque unité NEW AIR, de l'unité et de toutes ses pièces, d'être exempte de défauts de matériaux ou de fabrication, dans le cadre d'une utilisation et d'un service d'entretien normaux et appropriés, tels que spécifiés par NEW AIR et lors d'une installation et d'un démarrage corrects, conformément au guide d'instructions fourni avec chaque unité NEW AIR.

L'obligation de NEW AIR en vertu de cette garantie est limitée à une période de 3 ans à compter de la date d'installation d'origine OU 39 mois après la date d'expédition de NEW AIR, selon la première éventualité.

Toutes les pièces couvertes par cette garantie qui sont déterminées par NEW AIR comme étant défectueuses sont limitées à la réparation ou au remplacement, y compris les frais de main-d'œuvre, des pièces ou des assemblages défectueux. La garantie de main-d'œuvre ne comprend que les frais de main-d'œuvre standard, tels que déterminés par NEW AIR.

RÉCLAMATIONS DE GARANTIE

Toutes les réclamations pour la main-d'œuvre ou les pièces doivent être faites directement via NEW AIR et doivent avoir un numéro d'autorisation.

Toutes les réclamations doivent inclure : le numéro de modèle de l'unité, le numéro de série de l'unité, la preuve d'achat, la date d'installation et toutes les informations pertinentes à l'appui de l'existence du défaut présumé. En cas de compresseur sous garantie, l'étiquette du compresseur doit être retournée à NEW AIR avec les informations énumérées ci-dessus.

GARANTIE COMPRESSEUR

En plus des garanties énoncées ci-dessus, NEW AIR garantit que son compresseur hermétiquement et semi hermétiquement scellé est exempt de défauts de matériel et de fabrication dans des conditions normales et appropriées d'utilisation et de maintenance pour une période de 2 années supplémentaires à compter de la date d'achat d'origine mais ne doit pas dépasser 5 ans et 3 mois après expédition par le fabricant.

CE QUI N'EST PAS COUVERT PAR CETTE GARANTIE

La seule obligation de NEW AIR en vertu de cette garantie est limitée à la réparation ou au remplacement de pièces, sous réserve des limitations supplémentaires ci-dessous. Cette garantie n'assume ni n'autorise personne à assumer des obligations autres que celles expressément couvertes par cette garantie.

AUCUN DOMMAGE CORRÉLATIF. NEW AIR n'est pas responsable des pertes économiques ; perte de profit; ou des dommages spéciaux, indirects ou corrélatifs, y compris, sans limitation, les pertes ou dommages résultant de la détérioration des aliments ou des produits, qu'ils soient ou non dus à une panne de réfrigération.

La garantie n'est pas transférable. Cette garantie n'est pas cessible et s'applique uniquement en faveur de l'acheteur / utilisateur d'origine à qui la livraison a été effectuée. Une telle cession ou un tel transfert annulera les garanties ci-incluses et annulera toutes les garanties, expresses ou implicites, y compris toute garantie de qualité marchande ou d'adéquation à un usage particulier.

Tout temps de déplacement, temps d'attente sur site, temps d'attente en raison de retards d'accès au site, de congé férié ou de frais de main-d'œuvre supplémentaires, ne sont pas couverts par cette garantie. La relocalisation d'une unité pour réparation ou remplacement n'est pas couverte.

Utilisation incorrecte : NEW AIR n'assume aucune responsabilité pour les pièces ou la couverture de main-d'œuvre en cas de défaillance d'un composant ou d'autres dommages résultant d'une utilisation ou d'une installation incorrecte ou de l'échec du nettoyage et / ou de l'entretien du produit, comme indiqué dans le paquet de garantie fourni avec l'unité.

Applications résidentielles: NEW AIR n'assume aucune responsabilité pour les pièces ou la main-d'œuvre en cas de défaillance des composants ou d'autres dommages résultant de l'installation dans des applications non commerciales ou résidentielles. Altération, négligence, abus, mauvaise utilisation, accident, dommages pendant le transport ou l'installation, incendie, inondation, cas de force majeure:

NEW AIR n'est pas responsable de la réparation ou du remplacement des pièces qui, selon NEW AIR, ont été soumises après la date de fabrication à altération, négligence, abus, mauvaise utilisation, accident, dommages pendant le transport ou l'installation, incendie, inondation ou catastrophe naturelle.

Connexions électriques incorrectes: NEW AIR n'est pas responsable de la réparation ou du remplacement des composants défectueux ou endommagés résultant d'une panne de courant électrique, de l'utilisation de rallonges, d'une basse tension ou de chutes de tension de l'appareil.

Aucune garantie implicite de qualité marchande ou d'adéquation à un usage particulier: Il n'y a aucune autre garantie, expresse, implicite ou statutaire, à l'exception de la garantie pièces et main-d'œuvre. Il n'y a aucune garantie qui va au-delà de la description au recto des présentes. Cette garantie s'applique aux unités vendues au Canada seulement et toute couverture de garantie sera nulle pour toutes les unités expédiées à l'extérieur du Canada.

ENREGISTREMENT DE LA GARANTIE

Pour enregistrer votre unité avec Réfrigération New Air, veuillez fournir les informations suivantes soit par courriel au service@distex.ca ou via le site web de www.newairrefrigeration.ca

CARTE D'ENREGISTREMENT DE GARANTIE

NUMÉRO DE MODÈLE: _____	DATE D'ACHAT: _____
NUMÉRO DE SÉRIE: _____	
NOM DU RESTAURANT : _____	
ADRESSE: _____ _____	
NOM DU PROPRIÉTAIRE: _____	
ADRESSE COURRIEL: _____	
NUMÉRO DE TÉLÉPHONE: _____	